

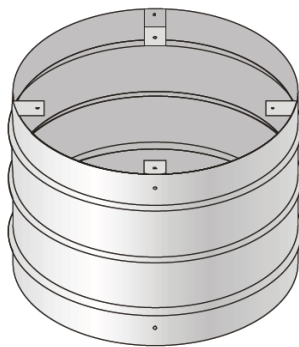


NEW VERTICAL HIGH WIND AND RAIN GUARD ACCESSORY

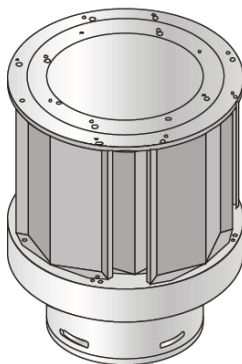
PART NUMBER	SIZE
940264GRD	For use on 6 5/8 vertical cap (p/n 940264)
940285GRD	For use on 8" vertical cap (p/n 940285)

Application: This wind/rain guard can be easily attached to the Pro-Form vertical round co-axial DV termination cap (P/N...940264 & 940285) when excessively high winds or driving rain conditions are present. Check with appliance manufacturer for approval of this accessory.

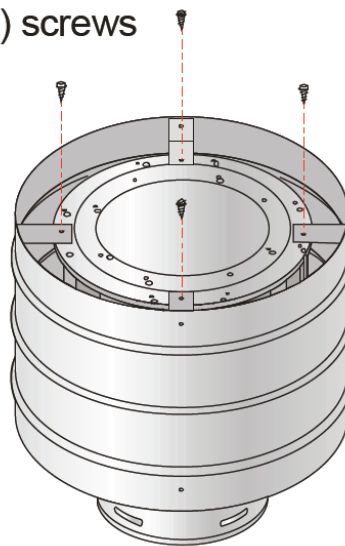
INSTALLATION INSTRUCTIONS:



Place wind guard over vertical cap



(4) screws



Secure with (4) screws