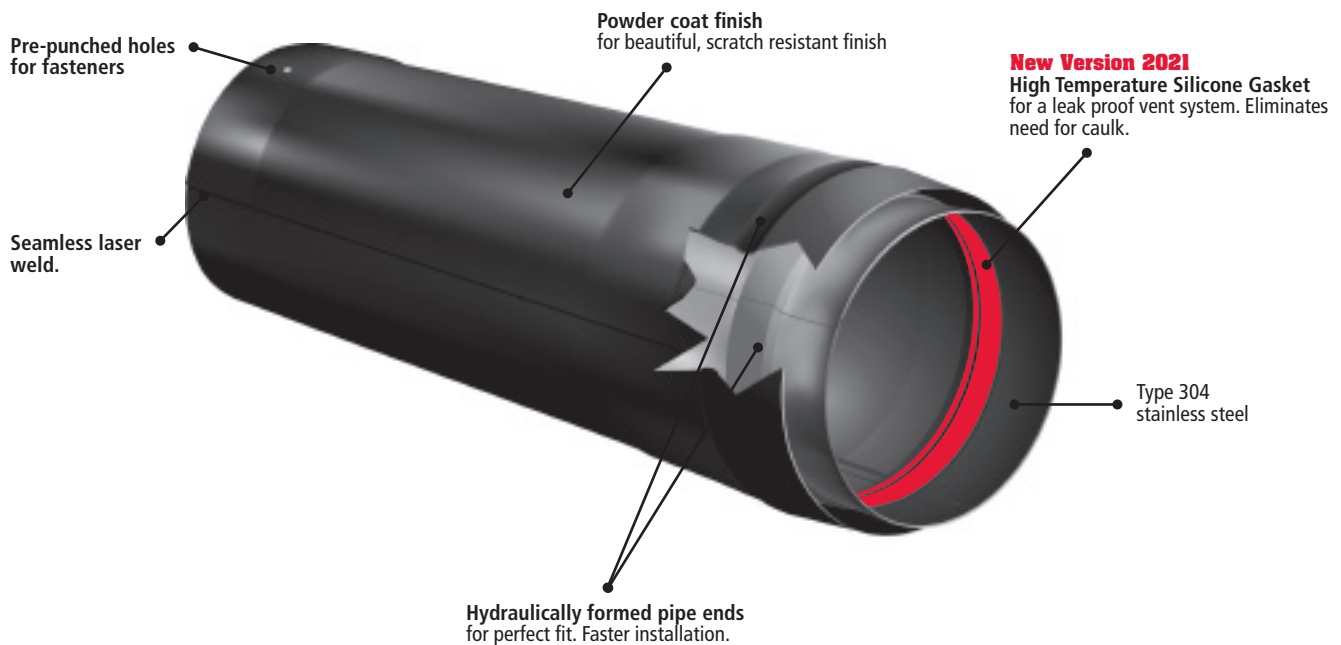


Bio Vent® BIOVENT™ WOOD PELLET VENTING

Put an end to labor-intensive caulking during installation and costly return visits to replace corroded venting. Bio Vent® from BDM makes wood pellet stoves easier to sell, easier to install, and easier to maintain.

Key Features



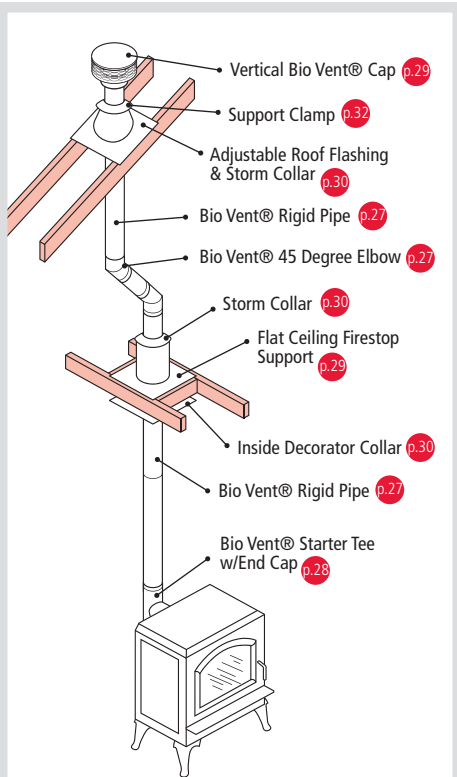
Type L Low Temperature Venting System UL641-2009
ULC/ORD C441-192, ULC S609-M89 Report NO 369-P-1b-2
Minimum Clearance 1" Air Space to Combustible Materials

Legend

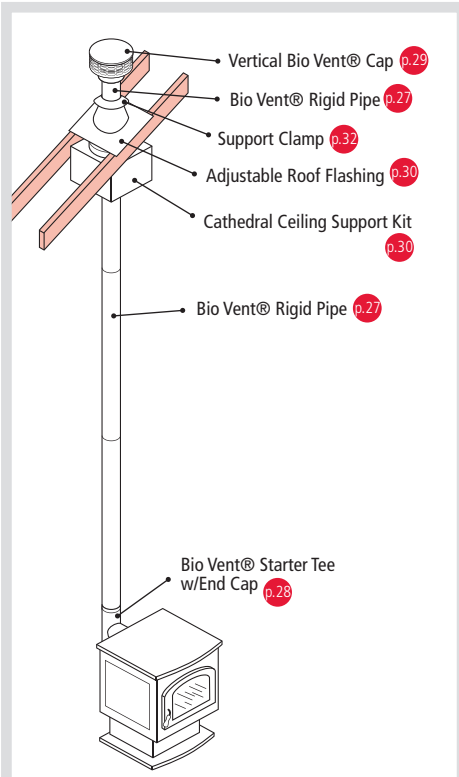
- C** Copper Coating Available
- B** Black Powder Coating Available
- 4** Packaged Quantity Per Carton
- 6** Packaged Cartons Per Pallet

Carton break down charge - #71009999 - 20%

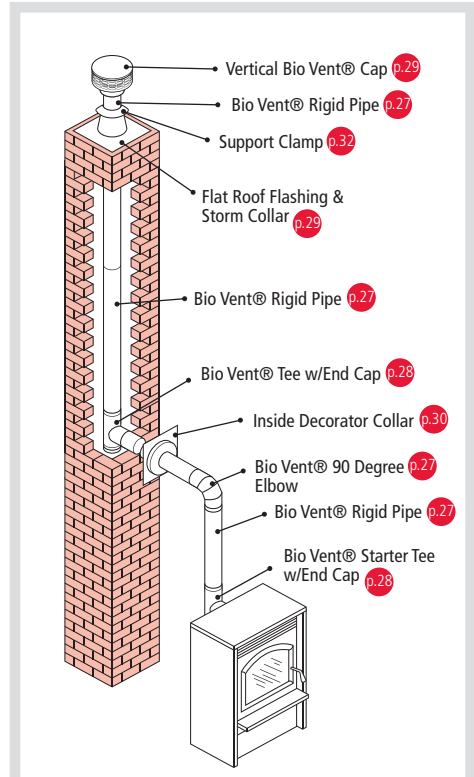
Applications



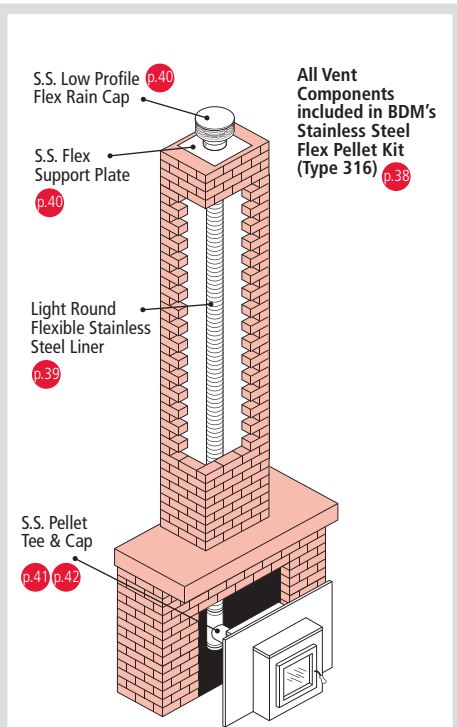
Stove w/Attic Offset



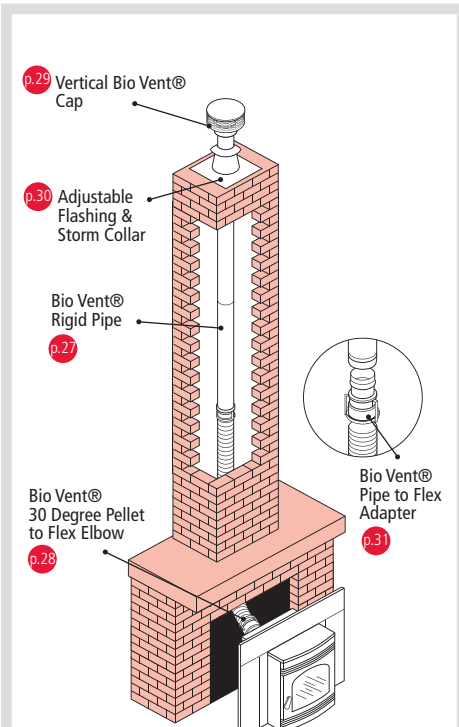
Cathedral Ceiling Stove



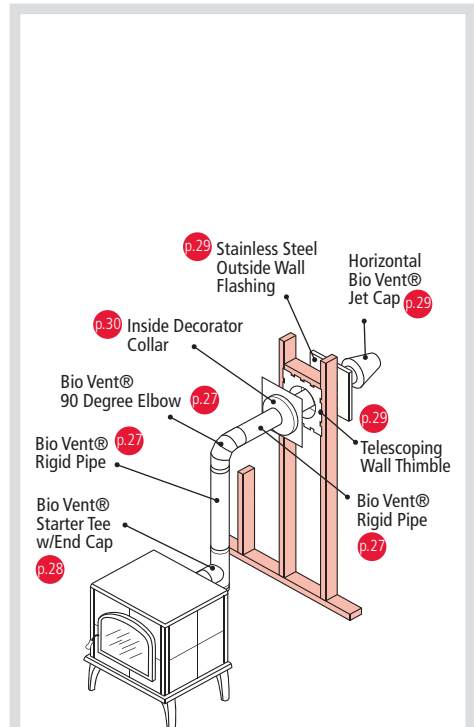
Stove Into Masonry Chimney



Pellet Insert Alternate



Pellet Insert



Horizontal Through Wall with Vertical Rise

Bio Vent® Wood Pellet Venting

Wall Vent Kit - Type 304 Stainless Steel (Wood)



1" Clearance

Size	Order #
3"	PV3-WVKB
4"	PV4-WVKB

Kit Includes: Horizontal Jet Cap, Telescoping Wall Thimble, Outside Wall Flashing w/Gasket, Inside Decorator Collar w/Gasket

Flat Ceiling Vent Kit - Type 304 Stainless Steel (Wood)



1" Clearance

Size	Order #
3"	PV3-FCKT
4"	PV4-FCKT

Kit Includes: Vertical Vent Cap, Flat Ceiling Firestop Support, Inside Decorator Collar w/Gasket, Support Clamp, Starter Tee with End Cap and Storm Collar

Rigid Pipe - Type 304 Stainless Steel (Wood)



Size	Order #
3" x 6"	PV3-06B
4" x 6"	PV4-06B
3" x 12"	PV3-12B
4" X 12"	PV4-12B
3" X 18"	PV3-18B
4" X 18"	PV4-18B
3" X 24"	PV3-24B
4" X 24"	PV4-24B
3" X 36"	PV3-36B
4" X 36"	PV4-36B
3" X 48"	PV3-48B
4" X 48"	PV4-48B

Adjustable Length Pipe - Type 304 Stainless Steel (Wood)



Size	Order #
3"	PV3-12AB
4"	PV4-12AB

Note: Provides 3" to 10" of adjustment when used with rigid sections of pipe.

45° Elbow - Type 304 Stainless Steel (Wood)



Size	Order #
3"	PV3-E45B
4"	PV4-E45B

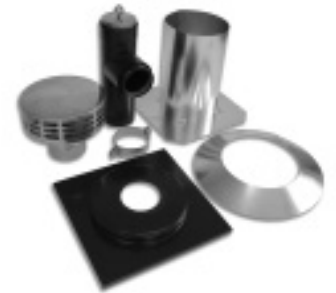
Note: One piece inner flue

90° Elbow - Type 304 Stainless Steel (Wood)



Size	Order #
3"	PV3-E90B
4"	PV4-E90B

Note: One piece inner flue



Wood Pellet



Starter Elbow - Type 304 Stainless Steel (Wood)



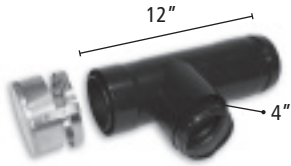
	45° Powder Coat	90° Powder Coat
Size	Order #	Order #
3"	PV3-E45STB	PV3-E90STB
4"	PV4-E45STB	PV4-E90STB



30° Pellet to Flex Elbow - Type 304 Stainless Steel (Wood)



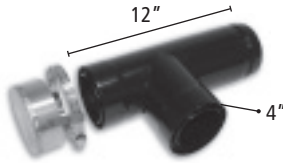
	Powder Coat
Size	Order #
3" to 4"	PV3-E30RFAD



Ravelli® Starter Tee - Type 304 Stainless Steel (Wood)



	Powder Coat
Size	Order #
3" to 4"	PV4-TSTETB



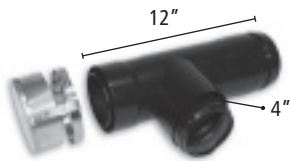
Tee with End Cap - Type 304 Stainless Steel (Wood)



	Powder Coat
Size	Order #
3" x 3"	PV3-TB
3" Branch x 4" Tee Main	PV4-T3B
4" x 4"	PV4-TB

Tee Support #PV34-TS

Note: Includes End Cap.



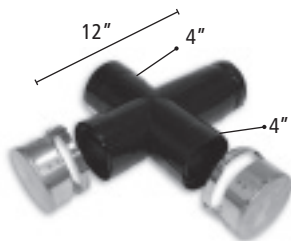
Starter Tee with End Cap - Type 304 Stainless Steel (Wood)



	Powder Coat
Size	Order #
3" x 3"	PV3-TSTB
3" Branch x 4" Tee Main	PV4-TST3B
4" x 4"	PV4-TSTB
Travis® 4" x 4"	PV4-TSTTRVB
Ravelli® 3" x 3"	PV3-TSTETB

Tee Support #PV34-TS

Note: Includes End Cap.



Double Tee with (2) End Caps - Type 304 Stainless Steel (Wood)



	Powder Coat
Size	Order #
3" x 3"	PV3-TDDB
3" Branch x 4" Tee Main	PV4-TDB3B
4" x 4"	PV4-TDDB

Tee Support #PV34-TS

Note: For both horizontal and vertical cleaning access; Includes 2 End Caps per Tee.

End Cap - Type 304 Stainless Steel (Wood)

Size	Order #
3"	PV3-EC
4"	PV4-EC

Co-Linear Insert Termination Cap - Type 304 Stainless Steel (Wood)

Diameter	Order #
3"x3"	PV3-VCS33
3"x4"	PV4-VCS34

Vertical Cap - Type 304 Stainless Steel (Wood)

Size	Order #
3"	PV3-VC
4"	PV4-VC

Horizontal Jet Cap - Type 304 Stainless Steel (Wood)

Size	Order #
3"	PV3-HJC
4"	PV4-HJC

Galvanized Flat Ceiling Firestop Support w/Attic Insul. Shield & Storm Collar

1" Clearance

Size	Framing Dimension	Order #
3"	6.5" x 6.5"	PV3-FCFS
4"	7.5" x 7.5"	PV4-FCFS

Note: Includes support clamp; Telescopes 7" to 11"

Galvanized Telescoping Wall Thimble

1" Clearance

Size	Framing Dimension	Order #
3"	6.5" x 6.5"	PV3-WT
4"	7.5" x 7.5"	PV4-WT

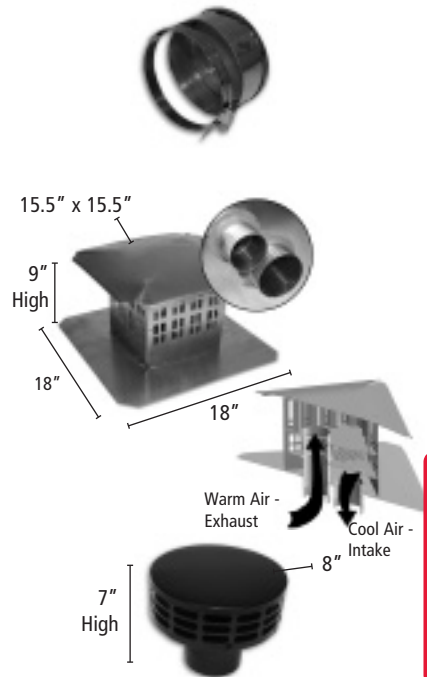
Note: Telescopes 7" to 12"

24 Gauge Stainless Steel Outside Wall Flashing

1" Clearance

Size	Framing Dimension	Order #
3"	7.5" x 7.5"	PV3-OWF
4"	8.5" x 8.5"	PV4-OWF

Note: Includes Gasket





Galvanized Inside Decorator Collar



1" Clearance

Size	Framing Dimension	Order #
3"	7.5" x 7.5"	PV3-DC
4"	8.5" x 8.5"	PV4-DC

Note: Includes Gasket

Galvanized Cathedral Ceiling Support Kit



1" Clearance

Size	Framing Dimension	Order #
3"	7.5" x 7.5"	PV3-CCSKT
4"	8.5" x 8.5"	PV4-CCSKT

Note: Includes box, trim collar, and support clamp

Adjustable Flashing & Storm Collar



6/12 Pitch		0/6 Pitch	
Size	Order #	Size	Order #
3"	PV3-RF612	3"	PV3-RF06
4"	PV4-RF612	4"	PV4-RF06

Storm Collar Only



Size	Order #
3"	PV3-SC
4"	PV4-SC

Collar Extension - Type 304 Stainless Steel (Wood)



Size	Order #
3"	PV3-EXT

Note: Used when appliance collar is too short for appliance adaptor.

Stove Specific Appliance Adaptor - Type 304 Stainless (Wood)



Size	Order #
Harman®	PV3-ADHSB
Travis®	PV4-ADTRVB
Travis® AGP / Ravelli®	PV3-ADET B
Quadrafire® 4" to 3"	PV3-ADQFB

Appliance Adaptor - Type 304 Stainless Steel (Wood)



Size	Order #
3"	PV3-ADB
4"	PV4-ADB

Appliance Adaptor Increaser - Type 304 Stainless Steel (Wood)



Size	Order #
3" to 4"	PV3-X4B

Class "A" Pipe Adaptor/Incraser/Masonry Adaptor - Type 304 S.S. (Wood)



Size	Size	Order #
3" x 3" to 6" / 8"	3" Rigid to 3" Flex	PV3-MAD368B
3" x 4" to 6" / 8"	3" Rigid to 4" Flex	PV3-MAD468B
4" x 4" to 6" / 8"	4" Rigid to 4" Flex	PV4-MAD468B

Note: Fits both 6" & 8" Class "A" pipe or masonry thimble; This one item is a dual function adaptor.

Flex to Pipe Adaptor Incraser - Type 304 Stainless Steel (Wood)



Size	Order #
3" to 3"	PVF3-PAD3B
3" to 4"	PVF3-PAD4B
4" to 4"	PVF4-PAD4B

Pipe to Flex Adaptor Incraser - Type 304 Stainless Steel (Wood)



Size	Order #
3" to 3"	PV3-FAD3B
3" to 4"	PV3-FAD4B
4" to 4"	PV4-FAD4B

Pipe to Pipe Incraser - Type 304 Stainless Steel (Wood)



Size	Order #
3" to 4"	PV3-AD4B

Deluxe Terminator - Type 304 Stainless Steel (Wood)



Length 24"		Length 36"	
Diameter/Take Off	Order #	Diameter/Take Off	Order #
3" / 2"	PV3-DTERM242	3" / 2"	PV3-DTERM362
4" / 2"	PV4-DTERM242	4" / 2"	PV4-DTERM362
3" / 3"	PV3-DTERM243	3" / 3"	PV3-DTERM363
4" / 3"	PV4-DTERM243	4" / 3"	PV4-DTERM363

Note: Fresh air brought in between inner and outer tube; Includes 2.5' of aluminum flex

Fresh Air Intake Kit



Size	Order #
2"	PV2-FAKT
3"	PV3-FAKT

Kit Includes: 5' of Alum Flex Liner, Vent Hood, & Flex Decorator Collar

Fresh Air Intake Kit with Insulated Flex



Size	Order #
2"	PV2-FAKTINS
3"	PV3-FAKTINS

Kit Includes: 5' of Alum Insulated Flex Liner, Vent Hood, & Flex Decorator Collar

Aluminum Flex Only - Without Ends



Size	Order #
2" x 25'	95270225

Note: For Fresh Air Intake Only



Wood Pellet



Type 316 Stainless Steel Flex Liner



Size	Order #
3" x 10'	SF3-10
3" x 25'	SF3-25
3" x 35'	SF3-35
4" x 10'	SF4-10
4" x 25'	SF4-25
4" x 35'	SF4-35



Aluminum Insulated Flex



Size	Order #
2" / 3" x 30'	9550020330
3" / 4" x 30'	9550030430

Note: Great for fresh air intake!; Insulation = .25" Thick



Galvanized Vertical Support Clamp



Size	Order#
3"	PV3-VSC
4"	PV4-VSC



Galvanized Adjustable Wall Strap



Size	Order#
3"	PV3-WS
4"	PV4-WS



Chase Box - 1" Clearance



Size	Dimension	Order #
3"	6" x 6"	PV3-CB
4"	7" x 7"	PV4-CB



Replacement Gaskets



Size	Order #
3"	PV3-GASKET
4"	PV4-GASKET



Touch Up Paint



Color	Order #
Black	PV-PAINT

Screw Package



Description	Order #
100 per package	PV-SP

Spray Touch-up Paint



Description	Order #
4.2 oz	PV-PAINTAC

Wood Pellet