

CHIM-A-LATOR



Chim-A-Lator®

The Chim-A-Lator® Deluxe easily mounts on top of a masonry fireplace flue and is operated by a convenient, adjustable regulator installed on the side wall of the fireplace. It is far more efficient than conventional cast iron dampers and the ideal replacement for old defective dampers. Proven for over 40 years to be the most trouble free top sealing damper.

Key Features

100% Stainless Steel Construction
No rust or corrosion – Lifetime Warranty

Won't Freeze Shut in Cold Climates
Heavy duty stainless steel springs provide 45lbs. of lift when opening damper.

Damper opens a full 6.5"
Allows for maximum draft.

6 Setting Regulator
Controls the amount of draft to produce more heat when burning.

Saves Energy
Tight seal on top of chimney, keeps heat in when fireplace is not in use.

Safest Damper Design on the Market
Designed not to close the flue in event of chimney fire. Keeps the fire and smoke in the chimney and out of the house.

Chim-A-Lator® not for use with gas logs or appliances or air cooled factory built chimneys.

Fully Assembled Out of the Box
Provides for fast easy installation

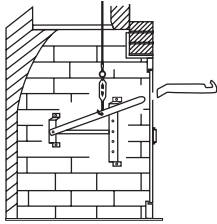
Integrated Spark Arrestor
Provides for safe fireplace operation

Keeps Animals Out of the Chimney
even when damper is open

Heavy Duty Frame

- Made from 18 ga. stainless steel
- Provides strength and rigidity

Threaded Weld Nuts
For easy and secure installation



Minimum fireplace depth must be 12.25" (front to back)

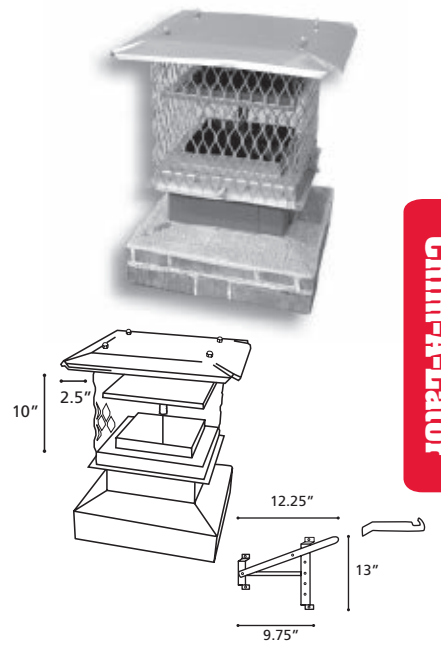
Legend

- C** Copper Coating Available
- B** Black Powder Coating Available

Chim-A-Lator® Deluxe Fireplace Damper				
Use Outside Dimensions of Flue Tile			3/4" Mesh	5/8" Mesh
Flue Size	Width (from - to)	Length (from - to)	Order #	Order #
8"x8"	7" - 9.25"	7" - 9.25"	050808	060808
8"x13"	7" - 9.25"	11" - 13.50"	050813	060813
8"x18"	7" - 9.25"	16" - 18.25"	050818	060818
8"x20"	7" - 9.25"	18" - 20.25"	050820	060820
10"x18"	8" - 10.25"	16" - 18.25"	051018	061018
12"x12"	10" - 12.25"	10" - 12.25"	051212	061212
13"x13"	11" - 13.50"	11" - 13.50"	051313	061313
12"x16"	10" - 12.25"	14" - 16.25"	051216	061216
13"x18"	11" - 13.50"	16" - 18.25"	051318	061318
13"x21"	11" - 13.50"	19.50" - 22"	051321	061321
16"x16"	14" - 16.25"	14" - 16.25"	051616	061616
16"x20"	14" - 16.25"	18" - 20.25"	051620	061620
18"x18"	16" - 18.25"	16" - 18.25"	051818	061818
18"x21"	16" - 18.25"	19.50" - 22"	051821	061821
20"x20"	18" - 20.25"	18" - 20.25"	052020	062020
20"x24"	18" - 20.25"	22" - 24.25"	052024	062024
24"x24"	22" - 24.25"	22" - 24.25"	052424	062424

Note: 5" minimum space between flue tiles required (overhang is 2.5"); Custom size Chim-A-Lator® available. Call for pricing.

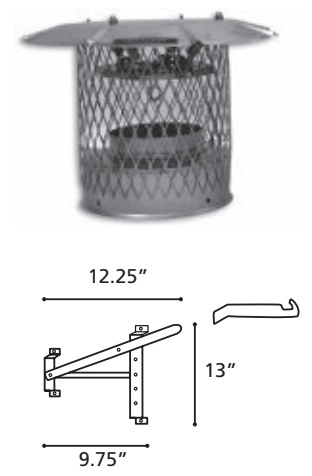
Chim-A-Lator® – Round			
Use Outside Dimensions of Flue Tile		3/4" Mesh	5/8" Mesh
Flue Size	Tile O.D. (from - to)	Order #	Order #
8"	8.125" - 9"	050008	060008
10"	10.125" - 11"	050010	060010
12"	12.125" - 13"	050012	060012
14"	14.125" - 15"	050014	060014
16"	16.125" - 17"	050016	060016
18"	18.125" - 19"	050018	060018

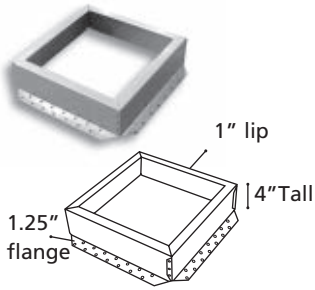


Powder coat
Chim-A-Lator® black (#059998)

Powder coat
Chim-A-Lator® copper (#059997)

Custom: #059999





Chim-A-Lator

Accessories – Stainless Steel Flue Extension



Flue Size	Order #	Flue Size	Order #
8" x 8"	120808	13" x 21"	121321
8" x 13"	120813	16" x 16"	121616
8" x 18"	120818	16" x 20"	121620
8" x 20"	120820	18" x 18"	121818
10" x 18"	121018	18" x 21"	121821
12" x 12"	121212	20" x 20"	122020
13" x 13"	121313	20" x 24"	122024
12" x 16"	121216	24" x 24"	122424
13" x 18"	121318		

Note: Installs on chimney where no flue is extending or flue is too short; Tapcon screws are included.

Accessories – Demonstrator



Order #
0508081

Accessories – Stainless Steel Cable Assembly



Length	Order #
30'	130130
40'	130140
50'	130150
60'	130160

Accessories – Stainless Steel Cable Only



Length	Order #
30'	130030
40'	130040
50'	130050
60'	130060

Accessories – Cable Casing



Length	Order #
7'	140007
15'	140015
50'	140050

Note: Protects cable at rub points in chimney; Chim-A-Lator® is supplied with 7 foot piece.

Accessories – Miscellaneous Parts



Description	Order #
Deluxe Handle	152050
Cable Clamp	152011
Turn Buckle	152040



Note:
Replacement or longer cable.

Chim-A-Lator® is supplied with 30' of stainless steel cable.
(Type 304 Stainless 375# Test.)

7 foot Cable Casing, Hold Down Spring, Turnbuckle, and
Clamp