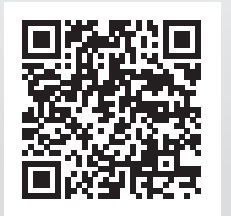




CHIM-A-LATOR



Chim-A-Lator®

The Chim-A-Lator® Deluxe easily mounts on top of a masonry fireplace flue and is operated by a convenient, adjustable regulator installed on the side wall of the fireplace. It is far more efficient than conventional cast iron dampers and the ideal replacement for old defective dampers. Proven for over 40 years to be the most trouble free top sealing damper.

Key Features

100% Stainless Steel Construction
No rust or corrosion – Lifetime Warranty

Safest Damper Design on the Market
Designed not to close the flue in event of chimney fire. Keeps the fire and smoke in the chimney and out of the house.

Chim-A-Lator® not for use with gas logs or appliances or air cooled factory built chimneys.

Fully Assembled Out of the Box
Provides for fast easy installation

Won't Freeze Shut in Cold Climates
Heavy duty stainless steel springs provide 45lbs. of lift when opening damper.

Integrated Spark Arrestor
Provides for safe fireplace operation

Keeps Animals Out of the Chimney
even when damper is open

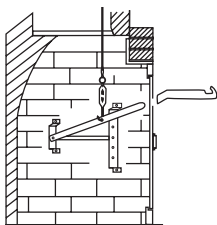
Damper opens a full 6.5"
Allows for maximum draft.

6 Setting Regulator
Controls the amount of draft to produce more heat when burning.

Heavy Duty Frame
• Made from 18 ga. stainless steel
• Provides strength and rigidity

Saves Energy
Tight seal on top of chimney, keeps heat in when fireplace is not in use.

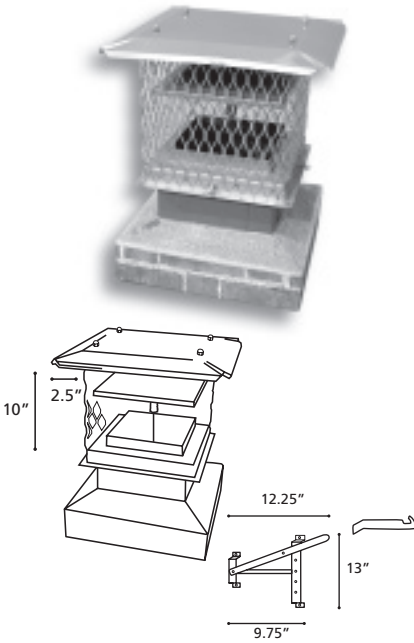
Threaded Weld Nuts
For easy and secure installation



Minimum fireplace depth must be 12.25" (front to back)

Legend

- C Copper Coating Available
- B Black Powder Coating Available

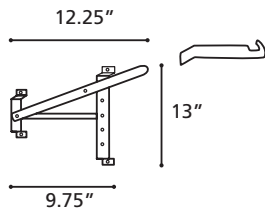


Chim-A-Lator® Deluxe Fireplace Damper



Use Outside Dimensions of Flue Tile		3/4" Mesh	5/8" Mesh
Flue Size	Width (from - to)	Length (from - to)	Order #
8" x 8"	7" - 9.25"	7" - 9.25"	050808
8" x 13"	7" - 9.25"	11" - 13.50"	050813
8" x 18"	7" - 9.25"	16" - 18.25"	050818
8" x 20"	7" - 9.25"	18" - 20.25"	050820
10" x 18"	8" - 10.25"	16" - 18.25"	051018
12" x 12"	10" - 12.25"	10" - 12.25"	051212
13" x 13"	11" - 13.50"	11" - 13.50"	051313
12" x 16"	10" - 12.25"	14" - 16.25"	051216
13" x 18"	11" - 13.50"	16" - 18.25"	051318
13" x 21"	11" - 13.50"	19.50" - 22"	051321
16" x 16"	14" - 16.25"	14" - 16.25"	051616
16" x 20"	14" - 16.25"	18" - 20.25"	051620
18" x 18"	16" - 18.25"	16" - 18.25"	051818
18" x 21"	16" - 18.25"	19.50" - 22"	051821
20" x 20"	18" - 20.25"	18" - 20.25"	052020
20" x 24"	18" - 20.25"	22" - 24.25"	052024
24" x 24"	22" - 24.25"	22" - 24.25"	052424

Note: 5" minimum space between flue tiles required (overhang is 2.5"); Custom size Chim-A-Lator® available. Call for pricing.



Chim-A-Lator® – Round



Use Outside Dimensions of Flue Tile		3/4" Mesh	5/8" Mesh
Flue Size	Tile O.D. (from - to)	Order #	Order #
8"	8.125" - 9"	050008	060008
10"	10.125" - 11"	050010	060010
12"	12.125" - 13"	050012	060012
14"	14.125" - 15"	050014	060014
16"	16.125" - 17"	050016	060016
18"	18.125" - 19"	050018	060018

Accessories – Stainless Steel Flue Extension



Flue Size	Order #	Flue Size	Order #
8" x 8"	120808	13" x 21"	121321
8" x 13"	120813	16" x 16"	121616
8" x 18"	120818	16" x 20"	121620
8" x 20"	120820	18" x 18"	121818
10" x 18"	121018	18" x 21"	121821
12" x 12"	121212	20" x 20"	122020
13" x 13"	121313	20" x 24"	122024
12" x 16"	121216	24" x 24"	122424
13" x 18"	121318		

Note: Installs on chimney where no flue is extending or flue is too short; Tapcon screws are included.

Accessories – Demonstrator



Order #
0508081

Accessories – Stainless Steel Cable Assembly



Length	Order #
30'	130130
40'	130140
50'	130150
60'	130160

Accessories – Stainless Steel Cable Only



Length	Order #
30'	130030
40'	130040
50'	130050
60'	130060

Accessories – Cable Casing



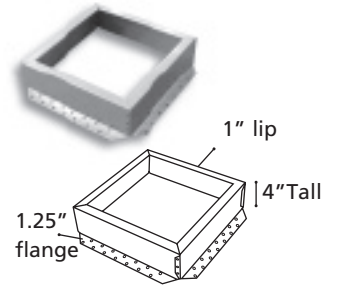
Length	Order #
7'	140007
15'	140015
50'	140050

Note: Protects cable at rub points in chimney; Chim-A-Lator® is supplied with 7 foot piece.

Accessories – Miscellaneous Parts



Description	Order #
Deluxe Handle	152050
Cable Clamp	152011
Turn Buckle	152040



Note:

Replacement or longer cable.

Chim-A-Lator® is supplied with 30' of stainless steel cable. (Type 304 Stainless 375# Test.)

7 foot Cable Casing, Hold Down Spring, Turnbuckle, and Clamp