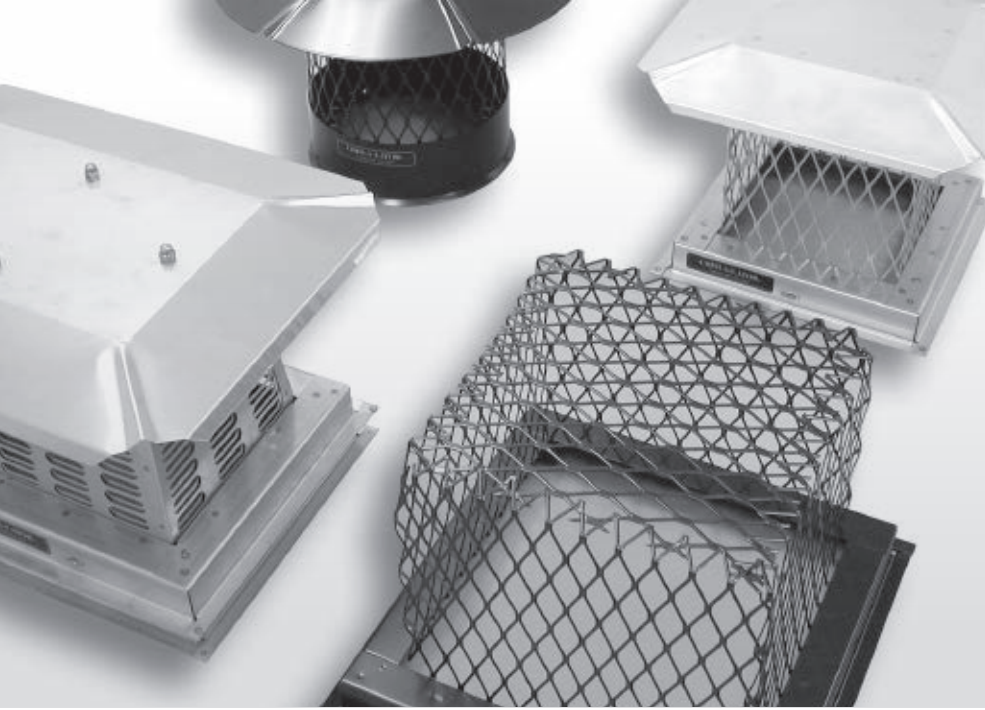


CHIMNEY CAPS



Chimney Caps

The Chim-A-Lator® line of Chimney Caps easily mounts to the top of a masonry fireplace with a simple screwdriver. They are available in both stainless steel and galvanized metal powder coated black with over 50 standard sizes to save you both time and money.

Key Features

Lifetime Warranty
on Stainless Steel Caps



24 Gauge Material Thickness
for superior strength

18 Gauge screen for added durability

Weld nuts provide a secure
attachment to chimney

Legend

- C** Copper Coating Available
- B** Black Powder Coating Available
- 4** Packaged Quantity Per Carton
- 6** Packaged Cartons Per Pallet

Chimney Caps

CHIMNEY CAPS

Stainless Steel Stackable Chimney Cap



Use Outside Dimensions

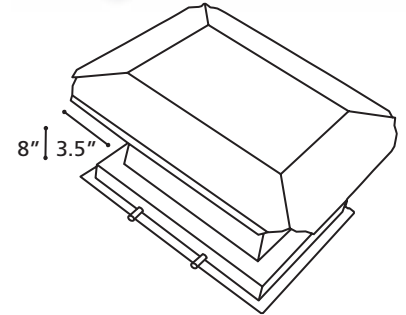
Flue Size	Width (from - to)	Length (from - to)	Order #
8"x8"	7" - 9.25"	7" - 9.25"	460808
8"x13"	7" - 9.25"	11" - 13.5"	460813
12"x12"	10" - 12.25"	10" - 12.25"	461212
13"x13"	11" - 13.5"	11" - 13.5"	461313

Note: 7" minimum required between flue tiles (overhang is 3.5")

Stackable chimney caps must be ordered in six packs; Meets 5/8" California requirements.



Chimney Caps



Stainless Steel Chimney Cap – Square



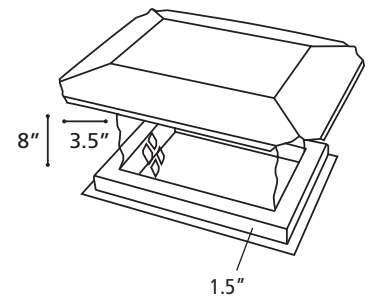
Use Outside Dimensions

3/4" Mesh

5/8" Mesh

Flue Size	Width (from-to)	Length (from-to)	Order #	Order #
5"x8"	4" - 6.25"	7" - 9.25"	430508	-
8"x8"	7" - 9.25"	7" - 9.25"	430808	400808
8"x13"	7" - 9.25"	11" - 13.5"	430813	400813
8"x18"	7" - 9.25"	16" - 18.25"	430818	400818
12"x12"	10" - 12.25"	10" - 12.25"	431212	401212
13"x13"	11" - 13.5"	11" - 13.5"	431313	401313
12"x16"	10" - 12.25"	14" - 16.25"	431216	401216
13"x18"	11" - 13.5"	16" - 18.25"	431318	401318
16"x16"	14" - 16.25"	14" - 16.25"	431616	401616
16"x20"	14" - 16.25"	18" - 20.25"	431620	401620
18"x18"	16" - 18.25"	16" - 18.25"	431818	401818
20"x20"	18" - 20.25"	18" - 20.25"	432020	402020
20"x24"	18" - 20.25"	22" - 24.25"	432024	402024
24"x24"	22" - 24.25"	22" - 24.25"	432424	402424

Note: 7" minimum required between flue tiles (overhang is 3.5")



Charge for black powder coating stainless steel caps #499998

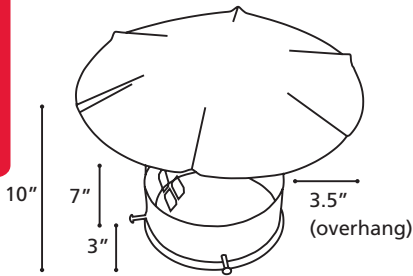
Charge for copper powder coating stainless steel caps #499997



Stainless Steel Chimney Cap – Round



	Use Outside Dimensions	3/4" Mesh	5/8" Mesh
Flue Size	Tile OD (From - to)	Order #	Order #
6"	6.125" - 7"	440006	410006
7"	7.125" - 8"	440007	410007
8"	8.125" - 9"	440008	410008
9"	9.125" - 10"	440009	410009
10"	10.125" - 11"	440010	410010
11"	11.125" - 12"	440011	410011
12"	12.125" - 13"	440012	410012
13"	13.125" - 14"	440013	410013
14"	14.125" - 15"	440014	410014
15"	15.125" - 16"	440015	410015
16"	16.125" - 17"	440016	410016
17"	17.125" - 18"	440017	410017
18"	18.125" - 19"	440018	410018



Charge for black powder coating stainless steel caps #499998.

Charge for copper powder coating stainless steel caps #499997



Stainless Steel California Chimney Cap



	Use Outside Dimensions			
Flue Size	Width (from - to)	Length (from - to)	Order #	
8"x8"	7" - 9.25"	7" - 9.25"	420808	
8"x13"	7" - 9.25"	11" - 13.5"	420813	
8"x18"	7" - 9.25"	16" - 18.25"	420818	
8"x20"	7" - 9.25"	18" - 20.25"	420820	
10"x18"	8" - 10.25"	16" - 18.25"	421018	
13"x13"	11" - 13.5"	11" - 13.5"	421313	
13"x18"	11" - 13.5"	16" - 18.25"	421318	
13"x21"	11" - 13.5"	19.5" - 22"	421321	
16"x20"	14" - 16.25"	18" - 20.25"	421620	
17"x21"	15" - 17.25"	19.5" - 22"	421721	
18"x18"	16" - 18.25"	16" - 18.25"	421818	
20"x24"	18" - 20.25"	22" - 24.25"	422024	
24"x24"	22" - 24.25"	22" - 24.25"	422424	

Charge for black powder coating stainless steel caps #499998

Charge for copper powder coating stainless steel caps #499997

Note: Angles are welded on bottom for oval flues.

Chimney Caps

CHIMNEY CAPS

Stainless Steel Spark Arrestor

Use Outside Dimensions			3/4" Mesh	5/8" Mesh
Flue Size	Width (from-to)	Length (from-to)	Order #	Order #
8"x8"	7" - 9.25"	7" - 9.25"	480808	450808
8"x13"	7" - 9.25"	11" - 13.5"	480813	450813
8"x18"	7" - 9.25"	16" - 18.25"	480818	450818
12"x12"	10" - 12.25"	10" - 12.25"	481212	451212
13"x13"	11" - 13.5"	11" - 13.5"	481313	451313
12"x16"	10" - 12.25"	14" - 16.25"	481216	451216
13"x18"	11" - 13.5"	16" - 18.25"	481318	451318
16"x16"	14" - 16.25"	14" - 16.25"	481616	451616
16"x20"	14" - 16.25"	18" - 20.25"	481620	451620
18"x18"	16" - 18.25"	16" - 18.25"	481818	451818
20"x20"	18" - 20.25"	18" - 20.25"	482020	452020
20"x24"	18" - 20.25"	22" - 24.25"	482024	452024
24"x24"	22" - 24.25"	22" - 24.25"	482424	452424



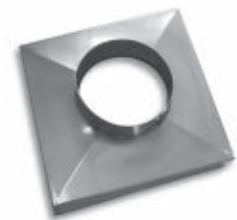
Charge for black powder coating stainless steel caps #499998

Charge for copper powder coating stainless steel caps #499997

Chimney Caps

Chase Top Covers

Custom Chase Tops available. Choose between stainless steel or galvanized. When calling for you custom chase cover quote tell us the dimensions of the cover as well as the size and location of the hole(s). We'll be happy to assist you with any configuration chase top cover you desire.



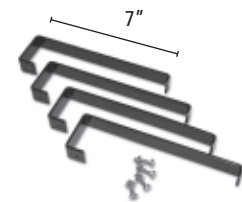
Chase Top #689991

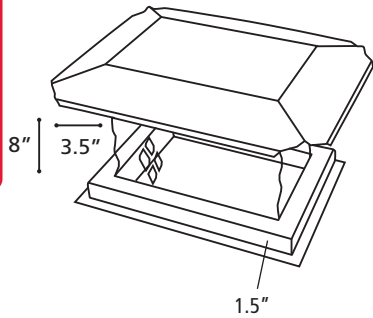
Leg Kits

Order #

390004

Note: Used to attach cap when a flue tile is not exposed.





Black Galvanized Steel Chimney Cap – Square



Flue Size	Use Outside Dimensions		3/4" Mesh	5/8" Mesh
	Width (from-to)	Length (from-to)	Order #	Order #
8"x8"	7" - 9.25"	7" - 9.25"	330808	300808
8"x13"	7" - 9.25"	11" - 13.5"	330813	300813
8"x18"	7" - 9.25"	16" - 18.25"	330818	300818
12"x12"	10" - 12.25"	10" - 12.25"	331212	301212
13"x13"	11" - 13.5"	11" - 13.5"	331313	301313
12"x16"	10" - 12.25"	14" - 16.25"	331216	301216
13"x18"	11" - 13.5"	16" - 18.25"	331318	301318
16"x16"	14" - 16.25"	14" - 16.25"	331616	301616
16"x20"	14" - 16.25"	18" - 20.25"	331620	301620
18"x18"	16" - 18.25"	16" - 18.25"	331818	301818
20"x20"	18" - 20.25"	18" - 20.25"	332020	302020
20"x24"	18" - 20.25"	22" - 24.25"	332024	302024
24"x24"	22" - 24.25"	22" - 24.25"	332424	302424

Note: 7" minimum required between flue tiles (overhang is 3.5")



Black Galvanized Steel California Chimney Cap



Flue Size	Use Outside Dimensions		Order #
	Width (from - to)	Length (from - to)	
8"x8"	7" - 9.25"	7" - 9.25"	320808
8"x13"	7" - 9.25"	11" - 13.5"	320813
8"x18"	7" - 9.25"	16" - 18.25"	320818
8"x20"	7" - 9.25"	18" - 20.25"	320820
10"x18"	8" - 10.25"	16" - 18.25"	321018
13"x13"	11" - 13.5"	11" - 13.5"	321313
13"x18"	11" - 13.5"	16" - 18.25"	321318
13"x21"	11" - 13.5"	19.5" - 22"	321321
16"x20"	14" - 16.25"	18" - 20.25"	321620
17"x21"	15" - 17.25"	19.5" - 22"	321721
18"x18"	16" - 18.25"	16" - 18.25"	321818
20"x24"	18" - 20.25"	22" - 24.25"	322024
24"x24"	22" - 24.25"	22" - 24.25"	322424

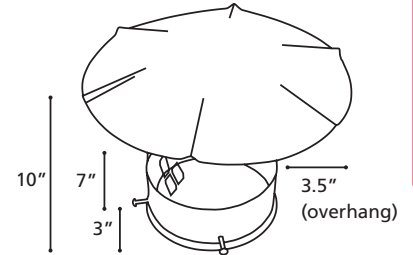
Note: Available only in 5/8" mesh; Angles are welded on bottom for oval flues.

Chimney Caps

CHIMNEY CAPS

Black Galvanized Steel Chimney Cap – Round

Use Outside Dimensions		3/4" Mesh	5/8" Mesh
Flue Size	Tile OD (from - to)	Order #	Order #
6"	6.125" - 7"	340006	310006
7"	7.125" - 8"	340007	310007
8"	8.125" - 9"	340008	310008
9"	9.125" - 10"	340009	310009
10"	10.125" - 11"	340010	310010
11"	11.125" - 12"	340011	310011
12"	12.125" - 13"	340012	310012
13"	13.125" - 14"	340013	310013
14"	14.125" - 15"	340014	310014
15"	15.125" - 16"	340015	310015
16"	16.125" - 17"	340016	310016
17"	17.125" - 18"	340017	310017
18"	18.125" - 19"	340018	310018

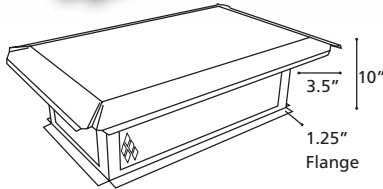


Chimney Caps

Black Galvanized Steel Spark Arrestor

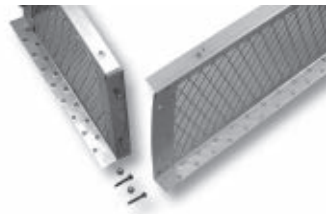
Use Outside Dimensions		3/4" Mesh	5/8" Mesh
Flue Size	Width (from - to)	Length (from-to)	Order #
8"x8"	7" - 9.25"	7" - 9.25"	380808
8"x13"	7" - 9.25"	11" - 13.5"	380813
8"x18"	7" - 9.25"	16" - 18.25"	380818
12"x12"	10" - 12.25"	10" - 12.25"	381212
13"x13"	11" - 13.5"	11" - 13.5"	381313
12"x16"	10" - 12.25"	14" - 16.25"	381216
13"x18"	11" - 13.5"	16" - 18.25"	381318
16"x16"	14" - 16.25"	14" - 16.25"	381616
16"x20"	14" - 16.25"	18" - 20.25"	381620
18"x18"	16" - 18.25"	16" - 18.25"	381818
20"x20"	18" - 20.25"	18" - 20.25"	382020
20"x24"	18" - 20.25"	22" - 24.25"	382024
24"x24"	22" - 24.25"	22" - 24.25"	382424





Powder coat crown mount cap black:
#490000

Powder coat crown mount cap Copper:
#490001



2" |

Perimeter Mount

Stainless Steel Crown Mounted Cap



Screen Size	Order #	Cover Size
One Piece Assembled Caps		
14"x14"	491414	21"x21"
17"x17"	491717	24"x24"
Knocked Down Caps		
14"x19"	491419	21"x26"
14"x21"	491421	21"x28"
14"x23"	491423	21"x30"
14"x25"	491425	21"x32"
14"x27"	491427	21"x34"
14"x29"	491429	21"x36"
14"x31"	491431	21"x38"
14"x33"	491433	21"x40"
14"x35"	491435	21"x42"
14"x37"	491437	21"x44"
14"x39"	491439	21"x46"
14"x41"	491441	21"x48"
17"x25"	491725	24"x32"
17"x27"	491727	24"x34"
17"x29"	491729	24"x36"
17"x31"	491731	24"x38"
17"x33"	491733	24"x40"
17"x35"	491735	24"x42"
17"x37"	491737	24"x44"
17"x39"	491739	24"x46"
17"x41"	491741	24"x48"

7" minimum required between tallest flue tiles (3.5" overhang); Order by screen dimensions.
Flange = 1.25" wide; Fastened by tapcon screws; Use for multiple flue installation; Order standard caps and save 15% to 20%; All standard crown mount caps are 10" high

Stainless Steel Custom Mount Cap



	Crown Mount	Perimeter Mount
Screen Height	Order #	Order #
10" High	499910	4999210
12" High	499912	4999212
14" High	499914	4999214
16" High	499916	4999216

Note: Add length plus width of screen needed. Multiply by per inch price to get MSRP price. Add 10% for 5/8" mesh.