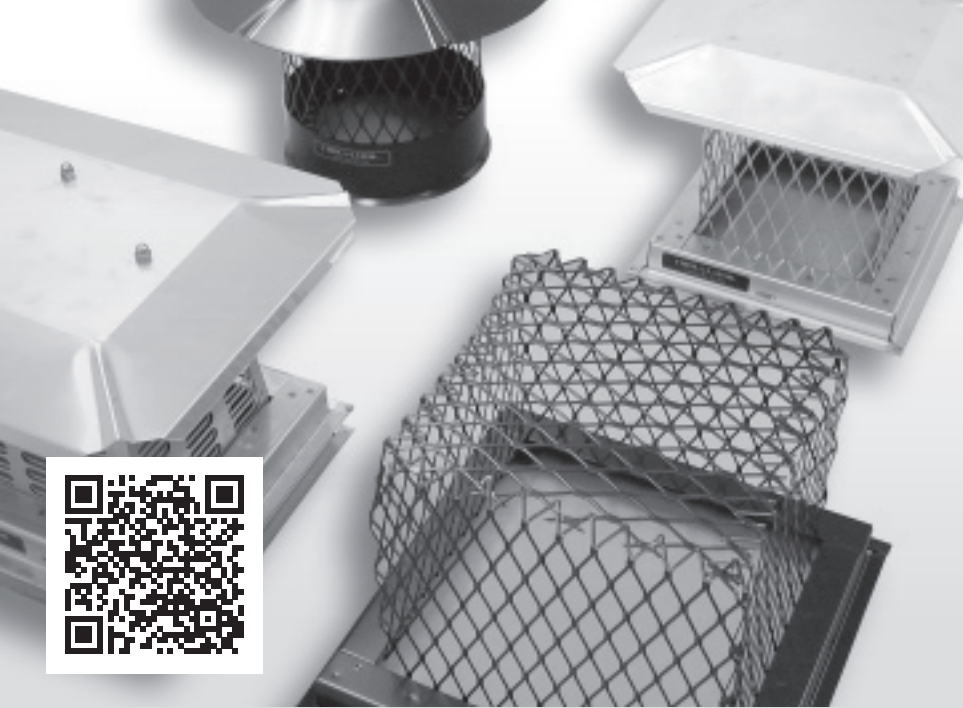


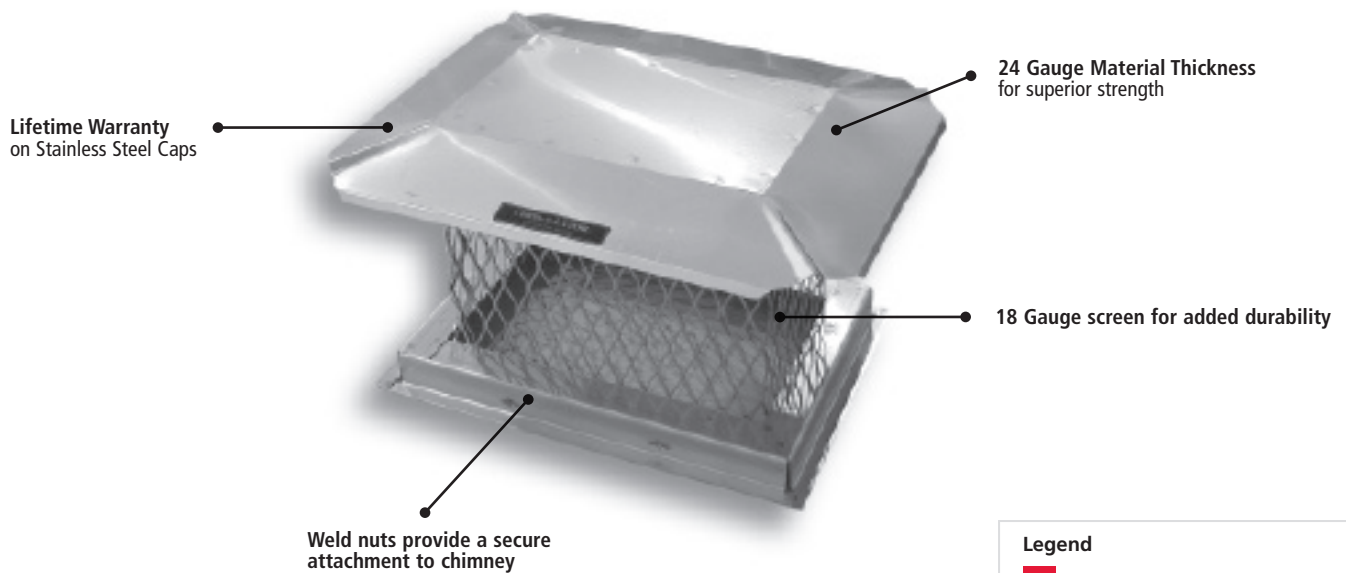
# CHIMNEY CAPS



## Chimney Caps

The Chim-A-Lator® line of Chimney Caps easily mounts to the top of a masonry fireplace with a simple screwdriver. They are available in both stainless steel and galvanized metal powder coated black with over 50 standard sizes to save you both time and money.

### Key Features



#### Legend

- C** Copper Coating Available
- B** Black Powder Coating Available
- 4** Packaged Quantity Per Carton
- 6** Packaged Cartons Per Pallet

# Chimney Caps

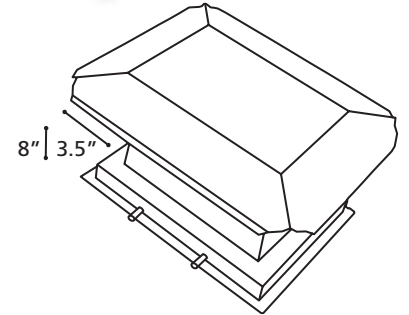
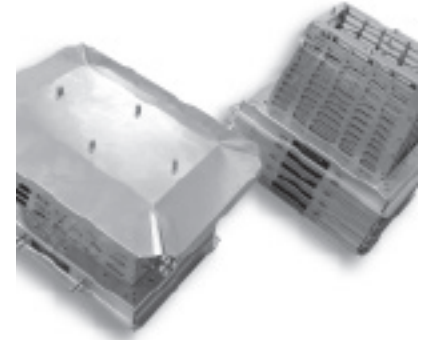
# CHIMNEY CAPS

## Stainless Steel Stackable Chimney Cap

Use Outside Dimensions			
Flue Size	Width (from - to)	Length (from - to)	Order #
8"x8"	7" - 9.25"	7" - 9.25"	460808
8"x13"	7" - 9.25"	11" - 13.5"	460813
12"x12"	10" - 12.25"	10" - 12.25"	461212
13"x13"	11" - 13.5"	11" - 13.5"	461313

Note: 7" minimum required between flue tiles (overhang is 3.5")

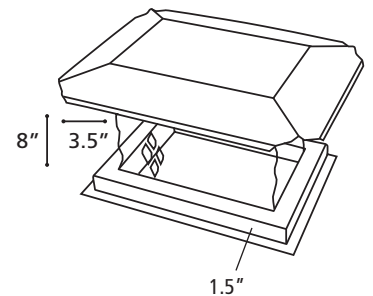
Stackable chimney caps must be ordered in six packs; Meets 5/8" California requirements.



## Stainless Steel Chimney Cap – Square

Use Outside Dimensions			3/4" Mesh	5/8" Mesh
Flue Size	Width (from-to)	Length (from-to)	Order #	Order #
5"x8"	4" - 6.25"	7" - 9.25"	430508	-
8"x8"	7" - 9.25"	7" - 9.25"	430808	400808
8"x13"	7" - 9.25"	11" - 13.5"	430813	400813
8"x18"	7" - 9.25"	16" - 18.25"	430818	400818
12"x12"	10" - 12.25"	10" - 12.25"	431212	401212
13"x13"	11" - 13.5"	11" - 13.5"	431313	401313
12"x16"	10" - 12.25"	14" - 16.25"	431216	401216
13"x18"	11" - 13.5"	16" - 18.25"	431318	401318
16"x16"	14" - 16.25"	14" - 16.25"	431616	401616
16"x20"	14" - 16.25"	18" - 20.25"	431620	401620
18"x18"	16" - 18.25"	16" - 18.25"	431818	401818
20"x20"	18" - 20.25"	18" - 20.25"	432020	402020
20"x24"	18" - 20.25"	22" - 24.25"	432024	402024
24"x24"	22" - 24.25"	22" - 24.25"	432424	402424

Note: 7" minimum required between flue tiles (overhang is 3.5")



Charge for black powder coating stainless steel caps #499998

Charge for copper powder coating stainless steel caps #499997

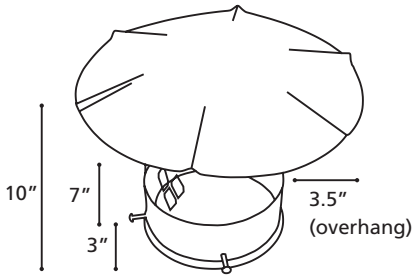
Chimney Caps



## Stainless Steel Chimney Cap – Round



Use Outside Dimensions		3/4" Mesh	5/8" Mesh
Flue Size	Tile OD (From - to)	Order #	Order #
6"	6.125" - 7"	440006	410006
7"	7.125" - 8"	440007	410007
8"	8.125" - 9"	440008	410008
9"	9.125" - 10"	440009	410009
10"	10.125" - 11"	440010	410010
11"	11.125" - 12"	440011	410011
12"	12.125" - 13"	440012	410012
13"	13.125" - 14"	440013	410013
14"	14.125" - 15"	440014	410014
15"	15.125" - 16"	440015	410015
16"	16.125" - 17"	440016	410016
17"	17.125" - 18"	440017	410017
18"	18.125" - 19"	440018	410018



Charge for black powder coating stainless steel caps #499998

Charge for copper powder coating stainless steel caps #499997



## Stainless Steel California Chimney Cap



Use Outside Dimensions			
Flue Size	Width (from - to)	Length (from - to)	Order #
8" x 8"	7" - 9.25"	7" - 9.25"	420808
8" x 13"	7" - 9.25"	11" - 13.5"	420813
8" x 18"	7" - 9.25"	16" - 18.25"	420818
8" x 20"	7" - 9.25"	18" - 20.25"	420820
10" x 18"	8" - 10.25"	16" - 18.25"	421018
13" x 13"	11" - 13.5"	11" - 13.5"	421313
13" x 18"	11" - 13.5"	16" - 18.25"	421318
13" x 21"	11" - 13.5"	19.5" - 22"	421321
16" x 20"	14" - 16.25"	18" - 20.25"	421620
17" x 21"	15" - 17.25"	19.5" - 22"	421721
18" x 18"	16" - 18.25"	16" - 18.25"	421818
20" x 24"	18" - 20.25"	22" - 24.25"	422024
24" x 24"	22" - 24.25"	22" - 24.25"	422424

**Note: Angles are welded on bottom for oval flues.**

Charge for black powder coating stainless steel caps #499998

Charge for copper powder coating stainless steel caps #499997

1.5"

# Chimney Caps

# CHIMNEY CAPS

## Stainless Steel Spark Arrestor

Use Outside Dimensions			3/4" Mesh	5/8" Mesh
Flue Size	Width (from-to)	Length (from-to)	Order #	Order #
8"x8"	7" - 9.25"	7" - 9.25"	480808	450808
8"x13"	7" - 9.25"	11" - 13.5"	480813	450813
8"x18"	7" - 9.25"	16" - 18.25"	480818	450818
12"x12"	10" - 12.25"	10" - 12.25"	481212	451212
13"x13"	11" - 13.5"	11" - 13.5"	481313	451313
12"x16"	10" - 12.25"	14" - 16.25"	481216	451216
13"x18"	11" - 13.5"	16" - 18.25"	481318	451318
16"x16"	14" - 16.25"	14" - 16.25"	481616	451616
16"x20"	14" - 16.25"	18" - 20.25"	481620	451620
18"x18"	16" - 18.25"	16" - 18.25"	481818	451818
20"x20"	18" - 20.25"	18" - 20.25"	482020	452020
20"x24"	18" - 20.25"	22" - 24.25"	482024	452024
24"x24"	22" - 24.25"	22" - 24.25"	482424	452424



Charge for black powder coating stainless steel caps #499998

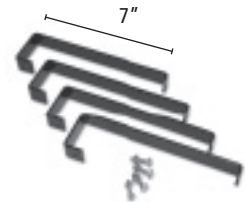
Charge for copper powder coating stainless steel caps #499997

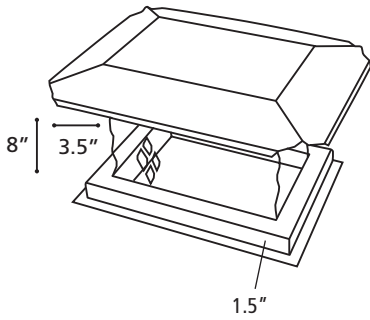
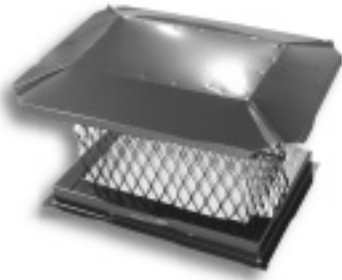
## Leg Kits

Order #

390004

**Note:** Used to attach cap when a flue tile is not exposed.





## Black Galvanized Steel Chimney Cap – Square



Use Outside Dimensions		3/4" Mesh	5/8" Mesh
Flue Size	Width (from-to)	Length (from-to)	Order #
8"x8"	7" - 9.25"	7" - 9.25"	330808
8"x13"	7" - 9.25"	11" - 13.5"	330813
8"x18"	7" - 9.25"	16" - 18.25"	330818
12"x12"	10" - 12.25"	10" - 12.25"	331212
13"x13"	11" - 13.5"	11" - 13.5"	331313
12"x16"	10" - 12.25"	14" - 16.25"	331216
13"x18"	11" - 13.5"	16" - 18.25"	331318
16"x16"	14" - 16.25"	14" - 16.25"	331616
16"x20"	14" - 16.25"	18" - 20.25"	331620
18"x18"	16" - 18.25"	16" - 18.25"	331818
20"x20"	18" - 20.25"	18" - 20.25"	332020
20"x24"	18" - 20.25"	22" - 24.25"	332024
24"x24"	22" - 24.25"	22" - 24.25"	332424

**Note: 7" minimum required between flue tiles (overhang is 3.5")**

## Black Galvanized Steel California Chimney Cap



Use Outside Dimensions			
Flue Size	Width (from - to)	Length (from - to)	Order #
8"x8"	7" - 9.25"	7" - 9.25"	320808
8"x13"	7" - 9.25"	11" - 13.5"	320813
8"x18"	7" - 9.25"	16" - 18.25"	320818
8"x20"	7" - 9.25"	18" - 20.25"	320820
10"x18"	8" - 10.25"	16" - 18.25"	321018
13"x13"	11" - 13.5"	11" - 13.5"	321313
13"x18"	11" - 13.5"	16" - 18.25"	321318
13"x21"	11" - 13.5"	19.5" - 22"	321321
16"x20"	14" - 16.25"	18" - 20.25"	321620
17"x21"	15" - 17.25"	19.5" - 22"	321721
18"x18"	16" - 18.25"	16" - 18.25"	321818
20"x24"	18" - 20.25"	22" - 24.25"	322024
24"x24"	22" - 24.25"	22" - 24.25"	322424

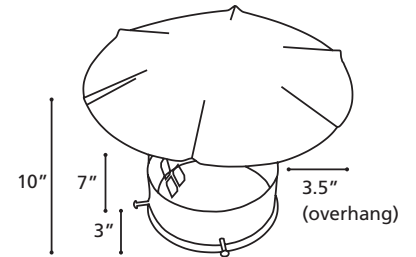
**Note: Available only in 5/8" mesh; Angles are welded on bottom for oval flues.**

# Chimney Caps

# CHIMNEY CAPS

## Black Galvanized Steel Chimney Cap – Round

Use Outside Dimensions		3/4" Mesh	5/8" Mesh
Flue Size	Tile OD (from - to)	Order #	Order #
6"	6.125" - 7"	340006	310006
7"	7.125" - 8"	340007	310007
8"	8.125" - 9"	340008	310008
9"	9.125" - 10"	340009	310009
10"	10.125" - 11"	340010	310010
11"	11.125" - 12"	340011	310011
12"	12.125" - 13"	340012	310012
13"	13.125" - 14"	340013	310013
14"	14.125" - 15"	340014	310014
15"	15.125" - 16"	340015	310015
16"	16.125" - 17"	340016	310016
17"	17.125" - 18"	340017	310017
18"	18.125" - 19"	340018	310018



## Black Galvanized Steel Spark Arrestor

Use Outside Dimensions		3/4" Mesh	5/8" Mesh
Flue Size	Width (from - to)	Length (from-to)	Order #
8"x8"	7" - 9.25"	7" - 9.25"	380808
8"x13"	7" - 9.25"	11" - 13.5"	380813
8"x18"	7" - 9.25"	16" - 18.25"	380818
12"x12"	10" - 12.25"	10" - 12.25"	381212
13"x13"	11" - 13.5"	11" - 13.5"	381313
12"x16"	10" - 12.25"	14" - 16.25"	381216
13"x18"	11" - 13.5"	16" - 18.25"	381318
16"x16"	14" - 16.25"	14" - 16.25"	381616
16"x20"	14" - 16.25"	18" - 20.25"	381620
18"x18"	16" - 18.25"	16" - 18.25"	381818
20"x20"	18" - 20.25"	18" - 20.25"	382020
20"x24"	18" - 20.25"	22" - 24.25"	382024
24"x24"	22" - 24.25"	22" - 24.25"	382424

