

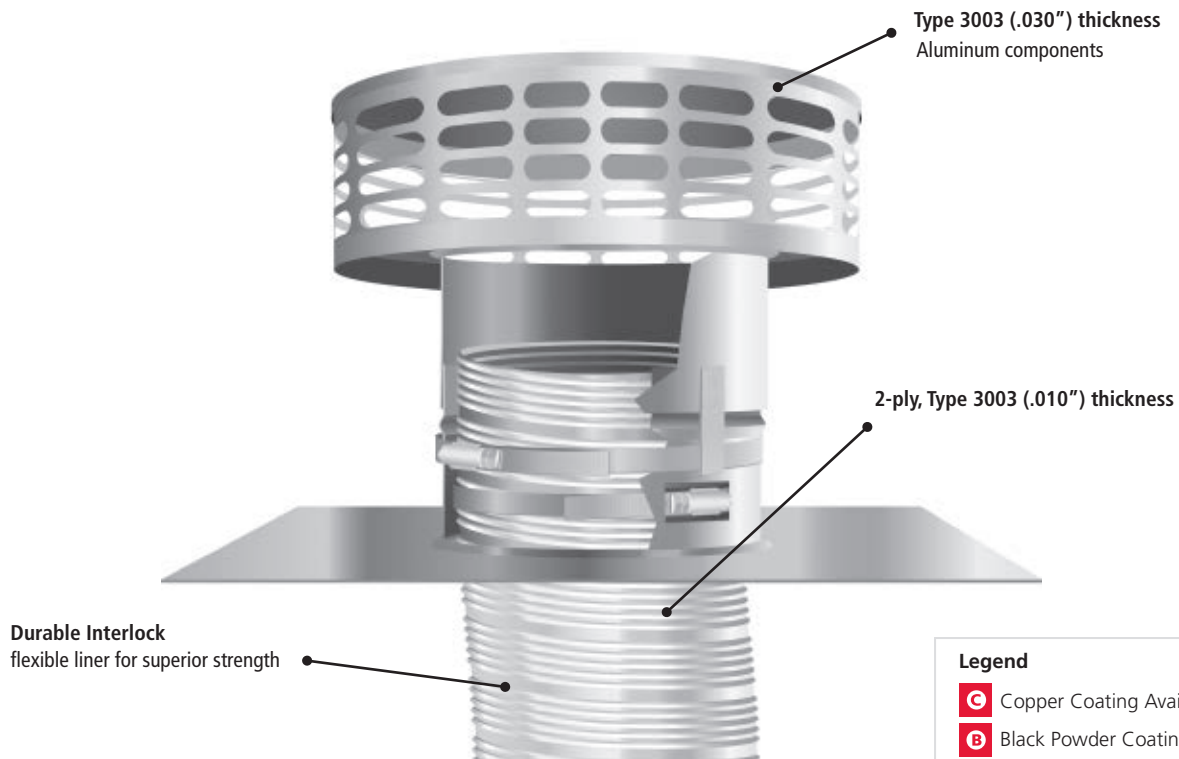


Aluminum Gas Venting



"Dalsin Line"® aluminum flexible liners are used for venting category 1 and direct vent appliances. Manufactured using Type 3003 aluminum, this heavy 2-ply liner is made from .005" thick, high grade aluminum for a total thickness of .010".

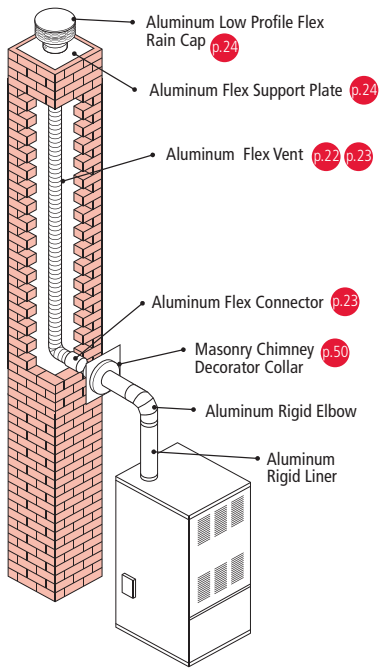
Key Features



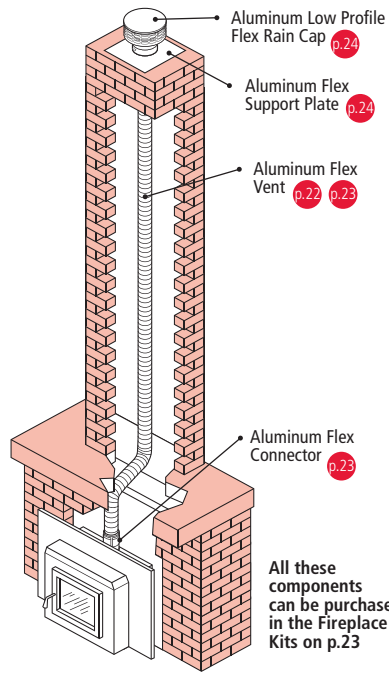
Legend

- C** Copper Coating Available
- B** Black Powder Coating Available
- 4** Packaged Quantity Per Carton
- 6** Packaged Cartons Per Pallet

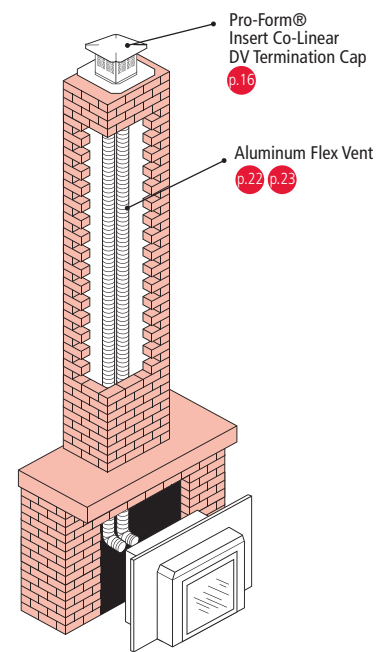
Applications



Gas Appliance Venting Into Masonry Chimney



B-Vent Gas Insert



Direct Vent Gas Insert



Aluminum Flex

Aluminum Flex Only – 25 Foot

C B 1 16

	Without Ends	With Ends
Size	Order #	Order #
2"	95270225	–
3"	95270325	95070325
4"	95270425	95070425
5"	95270525	95070525
6"	95270625	95070625
7"	95270725	95070725
8"	95270825	95070825

Pallet quantities may vary. Call for exact amounts.



Aluminum Flex Only – 35 Foot

C B 1 16

	Without Ends	With Ends
Size	Order #	Order #
3"	95270335	95070335
4"	95270435	95070435
5"	95270535	95070535
6"	95270635	95070635
7"	95270735	95070735
8"	95270835	95070835

Note: Larger diameters and custom lengths available; Call for pricing

Pallet quantities may vary. Call for exact amounts.

Aluminum Flex Only – 50 Foot

C B 1 12

	Without Ends	With Ends
Size	Order #	Order #
3"	95270350	
4"	95270450	
6"	95270650	

Pallet quantities may vary. Call for exact amounts.

Aluminum Flex – 10 Foot Extension

C B 1 6

	Without Ends	With Ends
Size	Order #	Order #
3"	95270310	95070310
4"	95270410	95070410
5"	95270510	95070510
6"	95270610	95070610
7"	95270710	95070710
8"	95270810	95070810

Box quantities may vary. Call for exact amounts.

2 Piece Flex Only – 50 Foot (2x25 Foot Sections)



Without Ends		With Ends	
Size	Order #	Order #	
3"	95280350	95080350	
3"/4"	952803450	–	
4"	95280450	95080450	

Note: For use with fireplaces with air intakes Pallet quantities may vary. Call for exact amounts.

2 Piece Flex Only – 60 Foot (2x30 Foot Sections)



Without Ends		With Ends	
Size	Order #	Order #	
3"	95280360	95080360	
3"/4"	952803460	–	
4"	95280460	95080460	

Pallet quantities may vary. Call for exact amounts.

2 Piece Flex Only – 70 Foot (2x35 Foot Sections)



Without Ends		With Ends	
Size	Order #	Order #	
3"	95280370	95080370	
3"/4"	952803470	–	
4"	95280470	95080470	

Pallet quantities may vary. Call for exact amounts.

Fireplace Kit – 25 Foot



Without Ends		With Ends	
Size	Order #	Order #	
3"	95250325	95050325	
4"	95250425	95050425	

Pallet quantities may vary. Call for exact amounts.

Fireplace Kit – 35 Foot



Without Ends		With Ends	
Size	Order #	Order #	
3"	95250335	95050335	
4"	95250435	95050435	

Fireplace Kit includes: Low Profile Rain Cap, 16x16 Top Plate, 2 Ply Flexible Aluminum Liner Pallet quantities may vary.

Aluminum Flex Connector



Size	Order #
3"	95090390
4"	95090490
5"	95090590
6"	95090690
7"	95090790
8"	95090890





Aluminum Tapered Reducer



Size	Order #
4"x3"	91130403



Aluminum Flex Pull Cone



Size	Order #
3"	95091
4"	95094



Aluminum Low Profile Flex Rain Cap



Size	Order #
3"	91360300
4"	91360400
5"	91360500
6"	91360600
7"	91360700
8"	91360800
10"	91361000



Aluminum Flex Support Plate – 16"x16" with Hose Clamp



Size	Order #
3"	95200316
4"	95200416
5"	95200516
6"	95200616
7"	95200716
8"	95200816



Aluminum Insulated Flex



Size	Order #
3"x30 foot	9550030430
3"x35 foot	9550030435
4"x30 foot	9550040530
4"x35 foot	9550040535
5"x30 foot	9550050630
5"x35 foot	9550050635
6"x30 foot	9550060730
6"x35 foot	9550060735
8"x30 foot	9550080930
8"x35 foot	9550080935

B-Vent Masonry Chim not rated for thru a combustable wall.

Aluminum Insulated Flex Connector – Call for part numbers and pricing.

Note: Great for gas inserts!; Insulation = .25" Thick