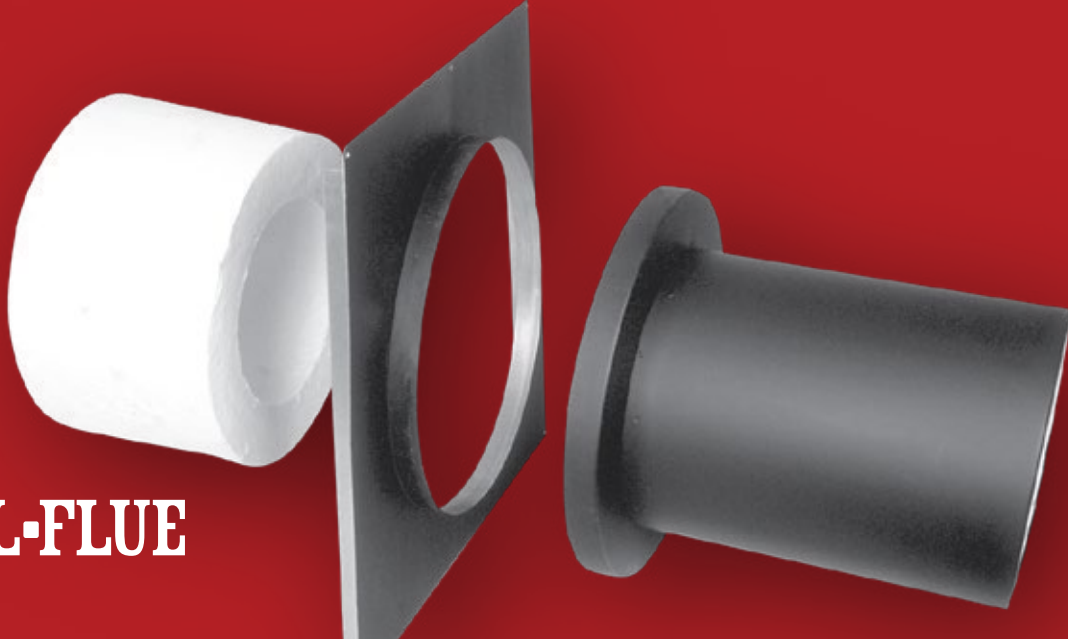


# INSUL-FLUE



## Insul-Flue®

Patented USA #4,543,942 and CANADA #1,243,291

Insul Flue® provides security and protection for thru-the-wall stovepipe installations. Insul Flue® actually protects the wall on both sides when the chimney is not adjacent to the house wall. Insul Flue® reduces the minimum 18" clearance specified by NFPA standard to 2". This unique system can be used with both single wall and double wall connector pipe.

## Key Features

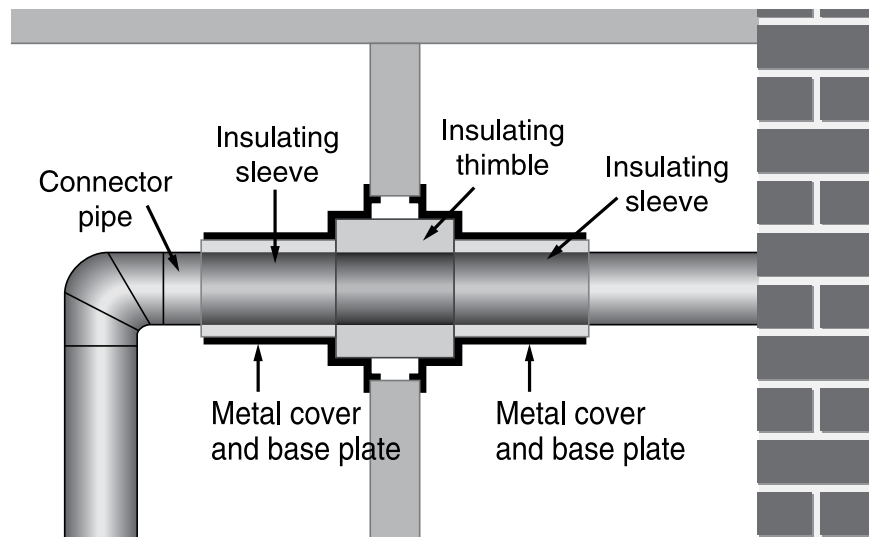
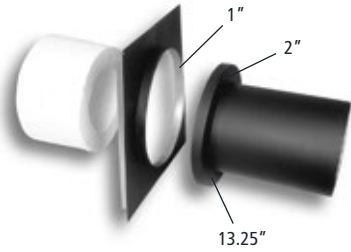


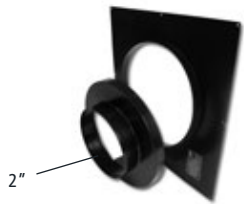
Illustration shows typical Thru-the-Wall installation. Insulating sleeves protect wall and any adjacent combustibles on both sides. Insulating thimble isolates wall itself – helps prevent overheating of wood bracing drywall, wallpaper, paint.



Thimble not included in wall units.  
Order separately.

Insul-Flue® Wall Unit and Thimble			C	B	4	6
Item	Pipe Diameter	Order #				
Wall Unit	6"	80010600				
Wall Unit	7"	80010700				
Wall Unit	8"	80010800				
SDV Wall Unit	6"	80010601				
Size (D x L)						
Thimble	6"x8"	80100608				
Thimble	7"x8"	80100708				
Thimble	8"x8"	80100808				
Thimble	6"x12"	80100612				
Thimble	7"x12"	80100712				
Thimble	8"x12"	80100812				

Note: SDV wall unit fits Simpson Dura-Vent™ double wall pipe  
Order 2 wall units and one thimble for through inside wall application



See Instructions for Framing Dimensions

Thimble			C	B	4	6
Size	O.D.	I.D.				
6"	11.25"	6.25"				
8"	13.25"	8.25"				



Insul-Plug® Insulated Chimney Plug				C	B	4	6
Size (DxL)	Minimum	Maximum	Order #				
6"	6"	6.375"	810106				
8"	7.75"	8.125"	810108				

Note: Used to seal up an old thimble hole. Insert plug in old thimble hole and tighten expansion bolt on face. Insulation expands causing a tight fit. Constructed of ceramic fiber insulation material.