



BIO VENT®

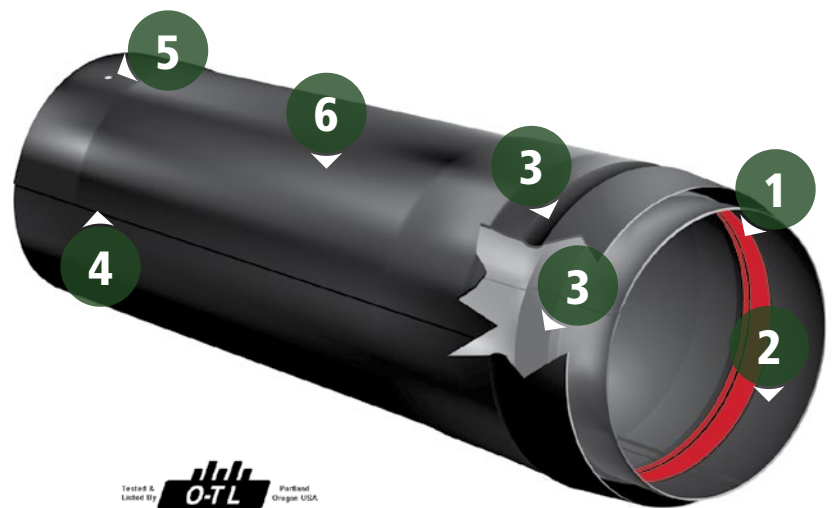


**Bio Vent®**

Put an end to labor-intensive caulking during installation and costly return visits to replace corroded venting. Bio Vent® from BDM makes wood pellet stoves easier to sell, easier to install, and easier to maintain.

## Key Features

- 1 **High Temperature Silicone Gasket** for a leak proof vent system. Eliminates need for caulk.
- 2 **Type 304 stainless steel**
- 3 **Hydraulically formed pipe ends** for perfect fit. Faster installation.
- 4 **Seamless laser weld.**
- 5 **Pre-punched holes for fasteners**
- 6 **Powder coat finish** for beautiful, scratch resistant finish

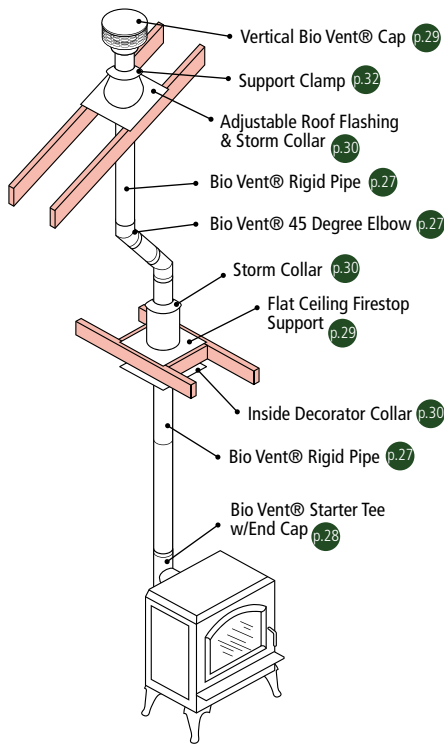


Type L Low Temperature Venting System UL641-2009  
ULC/ORD C441-192, ULC S609-M89 Report NO 369-P-1b-2  
Minimum Clearance 1" Air Space to Combustible Materials

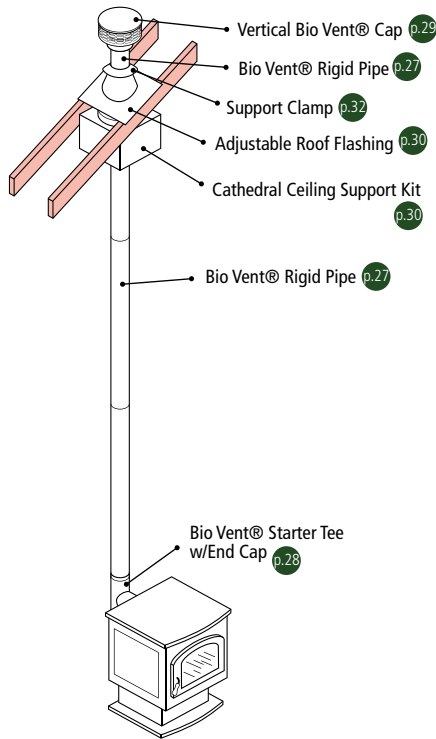
Carton break down charge - #71009999 - 20%

# Applications

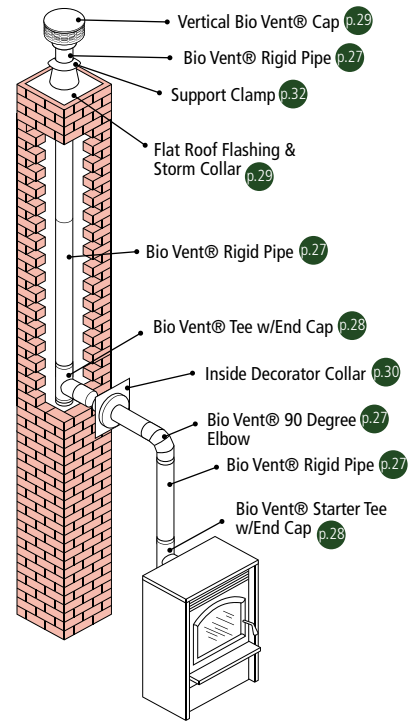
## Stove w/Attic Offset



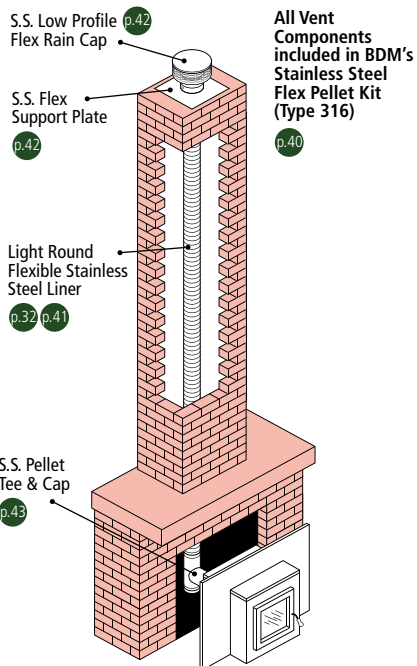
## Cathedral Ceiling Stove



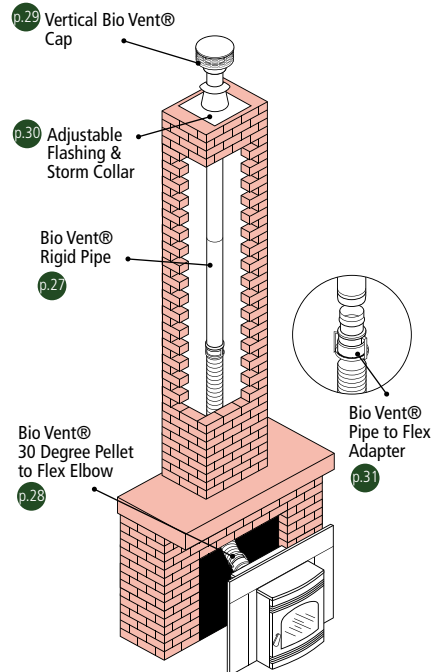
## Stove Into Masonry Chimney



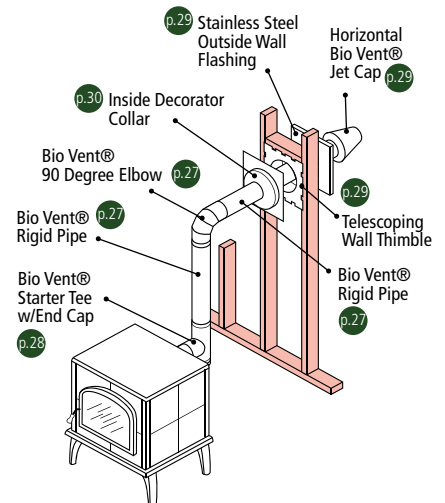
## Pellet Insert Alternate

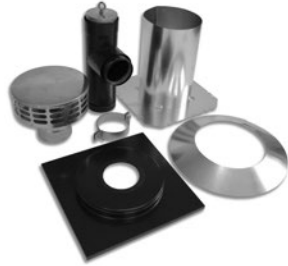


## Pellet Insert



## Horizontal Through Wall with Vertical Rise





11.5"



### Wall Vent Kit - Type 304 Stainless Steel (Wood)



1" Clearance

Size	Order #
3"	PV3-WVKBNA
4"	PV4-WVKBNA

Kit Includes: Horizontal Jet Cap, Telescoping Wall Thimble, Outside Wall Flashing w/Gasket, Inside Decorator Collar w/Gasket. Order Starter Collar separately - pg 30.

### Flat Ceiling Vent Kit - Type 304 Stainless Steel (Wood)



1" Clearance

Size	Order #
3"	PV3-FCKT
4"	PV4-FCKT

Kit Includes: Vertical Vent Cap, Flat Ceiling Firestop Support, Inside Decorator Collar w/Gasket, Support Clamp, Starter Tee with End Cap and Storm Collar

### Rigid Pipe - Type 304 Stainless Steel (Wood)



Size	Order #
3" x 6"	PV3-06B
4" x 6"	PV4-06B
3" x 12"	PV3-12B
4" x 12"	PV4-12B
3" x 18"	PV3-18B
4" x 18"	PV4-18B
3" x 24"	PV3-24B
4" x 24"	PV4-24B
3" x 36"	PV3-36B
4" x 36"	PV4-36B
3" x 48"	PV3-48B
4" x 48"	PV4-48B

### Adjustable Length Pipe - Type 304 Stainless Steel (Wood)



Size	Order #
3"	PV3-12AB
4"	PV4-12AB

Note: Provides 3" to 10" of adjustment when used with rigid sections of pipe.

### 45° Elbow - Type 304 Stainless Steel (Wood)



Size	Order #
3"	PV3-E45B
4"	PV4-E45B

Note: One piece inner flue

### 90° Elbow - Type 304 Stainless Steel (Wood)



Size	Order #
3"	PV3-E90B
4"	PV4-E90B

Note: One piece inner flue



Starter Elbow - Type 304 Stainless Steel (Wood)			C	B	6	6
	45° Powder Coat	90° Powder Coat				
Size	Order #	Order #				
3"	PV3-E45STB	PV3-E90STB				
4"	PV4-E45STB	PV4-E90STB				



30° Pellet to Flex Elbow - Type 304 Stainless Steel (Wood)			C	B	6	6
	Powder Coat					
Size	Order #					
3" to 4"	PV3-E30RFAD					



Ravelli® Starter Tee - Type 304 Stainless Steel (Wood)			C	B	3	6
	Powder Coat					
Size	Order #					
3" to 4"	PV4-TSTETB					

Note: Includes End Cap.



Tee with End Cap - Type 304 Stainless Steel (Wood)			C	B	3	6
	Powder Coat					
Size	Order #					
3" x 3"	PV3-TB					
3" Branch x 4" Tee Main	PV4-T3B					
4" to 4"	PV4-TB					

Note: Includes End Cap.

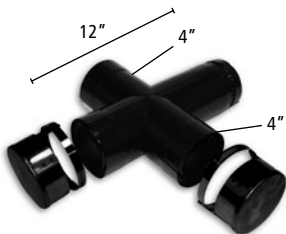
Tee Support #PV34-TS



Tee Support #PV34-TS

Starter Tee with End Cap - Type 304 Stainless Steel (Wood)			C	B	3	6
	Powder Coat					
Size	Order #					
3" x 3"	PV3-TSTB					
3" Branch x 4" Tee Main	PV4-TST3B					
4" x 4"	PV4-TSTB					
Travis® 4" x 4"	PV4-TSTTRVB					
Ravelli® 3" x 3"	PV3-TSTETB					

Note: Includes End Cap.



Tee Support #PV34-TS

Double Tee with (2) End Caps - Type 304 Stainless Steel (Wood)			C	B	3	6
	Powder Coat					
Size	Order #					
3" x 3"	PV3-TDBB					
3" Branch x 4" Tee Main	PV4-TDB3B					
4" to 4"	PV4-TDBB					

Note: For both horizontal and vertical cleaning access; Includes 2 End Caps per Tee.

PELLET | Bio Vent®



### End Cap - Type 304 Stainless Steel (Wood)



Stainless Steel

**Size**                      **Order #**

3"                              PV3-EC

4"                              PV4-EC

### Co-Linear Insert Termination Cap - Type 304 Stainless Steel (Wood)



**Diameter**                      **Order #**

3"x3" and 3"x4"                      PV4-VCS34B

Each cap comes with a 3"x4" adaptor.

### Vertical Cap - Type 304 Stainless Steel (Wood)



**Size**                      **Order #**

3"                              PV3-VCB

4"                              PV4-VCB

### Horizontal Jet Cap - Type 304 Stainless Steel (Wood)



**Size**                      **Order #**

3"                              PV3-HJCB

4"                              PV4-HJCB

### Galvanized Flat Ceiling Firestop Support w/Attic Insul. Shield & Storm Collar



1" Clearance

**Size**                      **Framing Dimension**                      **Order #**

3"                              6.5" x 6.5"                      PV3-FCFS

4"                              7.5" x 7.5"                      PV4-FCFS

Note: Includes support clamp; Telescopes 7" to 11"

### Galvanized Telescoping Wall Thimble



1" Clearance

**Size**                      **Framing Dimension**                      **Order #**

3"                              6.5" x 6.5"                      PV3-WT

4"                              7.5" x 7.5"                      PV4-WT

Note: Telescopes 7" to 12"

### 24 Gauge Stainless Steel Outside Wall Flashing



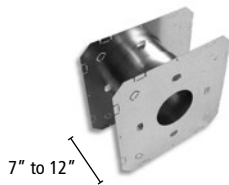
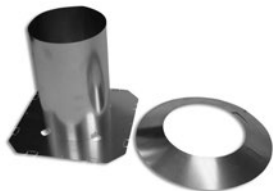
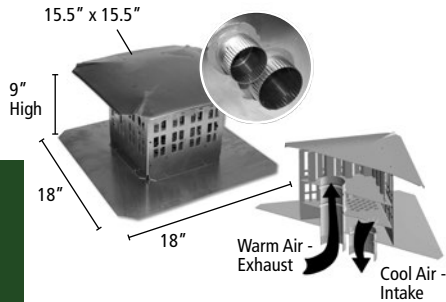
1" Clearance

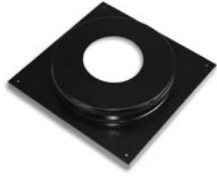
**Size**                      **Framing Dimension**                      **Order #**

3"                              7.5" x 7.5"                      PV3-OWF

4"                              8.5" x 8.5"                      PV4-OWF

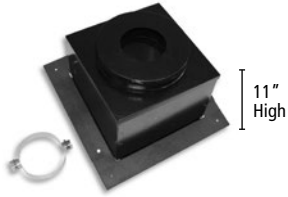
Note: Includes Gasket





Galvanized Inside Decorator Collar			C	B	6	6
			1" Clearance			
Size	Framing Dimension	Order #				
3"	7.5" x 7.5"	PV3-DC				
4"	8.5" x 8.5"	PV4-DC				

Note: Includes Gasket



Galvanized Cathedral Ceiling Support Kit			C	B	1	6
			1" Clearance			
Size	Framing Dimension	Order #				
3"	7.5" x 7.5"	PV3-CCSKT				
4"	8.5" x 8.5"	PV4-CCSKT				

Note: Includes box, trim collar, and support clamp



Adjustable Flashing & Storm Collar				C	B	1	6
		45° Powder Coat		90° Powder Coat			
Size	Order #	Size	Order #				
3"	PV3-RF612	3"	PV3-RF06				
4"	PV4-RF612	4"	PV4-RF06				



Storm Collar Only		C	B	1	6
Size	Order #				
3"	PV3-SC				
4"	PV4-SC				



Collar Extension - Type 304 Stainless Steel (Wood)		C	B	6	6
Size	Order #				
3"	PV3-EXT				

Note: Used when appliance collar is too short for appliance adaptor.



Stove Specific Appliance Adaptor - Type 304 Stainless (Wood)		C	B	6	6
Size	Order #				
Harman®	PV3-ADHSB				
Travis®	PV4-ADTRVB				
Travis® AGP / Ravelli®	PV3-ADETB				
Quadrafire® 4" to 3"	PV3-ADQFB				



Appliance Adaptor - Type 304 Stainless Steel (Wood)		C	B	6	6
Size	Order #				
3"	PV3-ADB				
3.25"	PV3-ADOB				
4"	PV4-ADB				
4.25"	PV4-ADOB				



Appliance Adaptor Increaser - Type 304 Stainless Steel (Wood)		C	B	6	6
Size	Order #				
3" to 4"	PV3-X4B				

PELLET | Bio Vent®



### Class "A" Pipe Adaptor/Incraser/Masonry Adaptor - Type 304 S.S. (Wood)



Size	Size	Order #
3" x 3" to 6" / 8"	3" Rigid to 3" Flex	PV3-MAD368B
3" x 4" to 6" / 8"	3" Rigid to 4" Flex	PV3-MAD468B
4" x 4" to 6" / 8"	4" Rigid to 4" Flex	PV4-MAD468B

Note: Fits both 6" & 8" Class "A" pipe or masonry thimble; This one item is a dual function adaptor.



### Flex to Pipe Adaptor Incraser - Type 304 Stainless Steel (Wood)



Size	Order #
3"x3"	PVF3-PAD3B
3" to 4"	PVF3-PAD4B
4" to 4"	PVF4-PAD4B



### Pipe to Flex Adaptor Incraser - Type 304 Stainless Steel (Wood)



Size	Order #
3"x3"	PV3-FAD3B
3" to 4"	PV3-FAD4B
4" to 4"	PV4-FAD4B

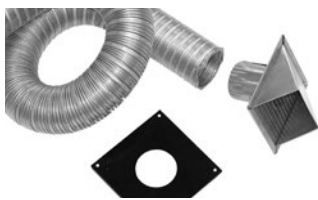


### Deluxe Terminator - Type 304 Stainless Steel (Wood)



Diameter/Take Off	Length 24"		Length 36"	
	Order #		Diameter/Take Off	Order #
3"/2"	PV3-DTERM242		3"/2"	PV3-DTERM362
4"/2"	PV4-DTERM242		4"/2"	PV4-DTERM362
3"/3"	PV3-DTERM243		3"/3"	PV3-DTERM363
4"/3"	PV4-DTERM243		4"/3"	PV4-DTERM363

Note: Fresh air brought in between inner and outer tube; Includes 2.5' of aluminum flex

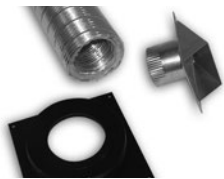


### Fresh Air Intake Kit



Size	Order #
2"	PV2-FAKT
3"	PV3-FAKT

Kit Includes: 5' of Alum Flex Liner, Vent Hood, & Flex Decorator Collar



### Fresh Air Intake Kit with Insulated Flex



Size	Order #
2"	PV2-FAKTINS
3"	PV3-FAKTINS

Kit Includes: 5' of Alum Insulated Flex Liner, Vent Hood, & Flex Decorator Collar



### Aluminum Flex Only - Without Ends



Size	Order #
2"x25'	95270225

Note: For Fresh Air Intake Only



Type 316 Stainless Steel Flex Liner			C	B	1	6
Size	Order #					
3" x 10'	SF3-10					
3" x 25'	SF3-25					
3" x 35'	SF3-35					
4" x 10'	SF4-10					
4" x 25'	SF4-25					
4" x 35'	SF4-35					



Aluminum Insulated Flex			C	B	1	6
Size	Order #					
2" / 3" x 30'	9550020330					
3" / 4" x 30'	9550030430					

Note: Great for fresh air intake!; Insulation = .25" Thick



Galvanized Vertical Support Clamp			C	B	6	6
Size	Order #					
3"	PV3-VSC					
4"	PV4-VSC					



Galvanized Adjustable Wall Strap			C	B	6	6
Size	Order #					
3"	PV3-WS					
4"	PV4-WS					



Chase Box - 1" Clearance			C	B	1	6
Size	Dimension	Order #				
3"	6" x 6"	PV3-CB				
4"	7" x 7"	PV4-CB				



Replacement Gaskets			C	B	4	6
Size	Order #					
3"	PV3-GASKET					
4"	PV4-GASKET					



Touch Up Paint			C	B	4	6
Color	Order #					
Black	PV-PAINT					

Screw Package			C	B	4	6
Description	Order #					
100 per package	PV-SP					

Spray Touch-up Paint			C	B	4	6
Description	Order #					
4.2 oz	PV-PAINTAC					

PELLET | Bio Vent®